

Xtender, Unit combining inverter, battery charger and transfer system

User manual

XTH 3000-12
XTH 5000-24
XTH 6000-48
XTH 8000-48

XTM 1500-12
XTM 2000-12
XTM 2400-24
XTM 3500-24
XTM 2600-48
XTM 4000-48

XTS 900-12
XTS 1200-24
XTS 1400-48



Common Accessories

Temperature sensor..... ***BTS-01***

Accessories XTM/XTS

Remote command module..... ***RCM-10***

Accessories XTS

External cooling fan..... ***ECF-01***

External auxiliary relay module..... ***ARM-02***

SUMMARY

1	INTRODUCTION.....	5
2	GENERAL INFORMATION	5
2.1	Operating instructions	5
2.2	Conventions	6
2.3	Quality and warranty.....	6
2.3.1	Exclusion of warranty.....	7
2.3.2	Exclusion of liability.....	7
2.4	Warnings and notes	7
2.4.1	General.....	7
2.4.2	Precautions when using batteries.....	8
3	ASSEMBLY AND INSTALLATION	9
3.1	Handling and moving.....	9
3.2	Storage	9
3.3	Unpacking.....	9
3.4	Installation site	9
3.4.1	XTM and XTH	9
3.5	Fastening.....	9
3.5.1	Fastening of the XTH model	10
3.5.2	Fastening of the XTM model	10
3.5.3	Fastening of the XTS model.....	10
3.6	Connections	11
3.6.1	General recommendations	11
3.6.2	Connection compartment, XTH and XTM models	12
3.6.3	Connection compartment, XTS model	13
3.6.4	Elements of the connection compartments	14
3.6.5	Tightening torque.....	15
3.6.6	Max permissible cable cross-sections	15
4	CABLING	16
4.1	Choice of system.....	16
4.1.1	Hybrid stand-alone systems	16
4.1.2	Grid-connected back-up systems.....	16
4.1.3	Integrated mobile systems	16
4.1.4	Multi-unit systems.....	16
4.1.5	Distributed minigrid	17
4.2	Earthing system	17
4.2.1	Mobile installation or installation connected to the grid via plug connector	17
4.2.2	Stationary installation	18
4.2.3	Installation with automatic PE-neutral switching	18
4.2.4	Lightning protection	18
4.3	Recommendations for dimensioning the system	18
4.3.1	Dimensioning the battery.....	18
4.3.2	Dimensioning the inverter.....	19
4.3.3	Dimensioning the generator.....	19
4.3.4	Dimensioning the renewable energy sources.....	19
4.4	Wiring diagrams.....	19
4.5	Connecting the battery	19
4.5.1	Battery cable cross-section and DC protective devices.....	20
4.5.2	Connecting the battery (Xtender side).....	20
4.5.3	Fuse mounting on battery positive pole (XTM only)	21
4.5.4	Battery-side connection	21
4.5.5	Earthing of battery.....	22
4.5.6	Connecting the consumers at the AC output	22
4.5.7	Connecting the AC supply sources	23
4.5.8	Wiring auxiliary contacts.....	23
4.5.9	Connecting the communications cables.....	23
5	XTENDER PARAMETER SETTINGS	24
5.1	Basic parameter settings in the XTS.....	24

6	POWERING UP THE INSTALLATION.....	25
6.1	Connecting the battery	25
6.2	Putting the Xtender(s) in operation using the main ON/OFF switch (1) if present	25
6.3	Connecting the consumers at the output	25
6.4	Activating the input circuit breaker(s) (H)	25
7	DESCRIPTION OF THE MAIN FUNCTIONS	26
7.1	Inverter.....	26
7.1.1	Automatic load detection (load search)	26
7.2	Transfer relay.....	26
7.2.1	Type of detection of AC input loss (UPS)	27
7.2.2	Limiting the AC input current "Input limit"	27
7.3	Battery charger	28
7.3.1	Working principle	28
7.3.2	Battery charger current setting	30
7.3.3	Battery protection.....	30
7.4	Xtender protection.....	30
7.4.1	Protection in case of overload.....	30
7.4.2	Protection against overvoltage	30
7.4.3	Protection against overheating	30
7.4.4	Protection against battery reverse polarity	31
7.5	Auxiliary contacts	31
7.6	Real time clock	31
7.7	Remote entry (Remote control on/off)	32
7.7.1	XTH model.....	32
7.7.2	XTM and XTS models.....	32
7.7.3	Remote entry controlled by an auxiliary relay	33
8	MULTI-UNIT CONFIGURATION	33
8.1	Three-phase system.....	34
8.2	Increasing the power by paralleling units.....	34
8.3	Combined system	34
8.4	Enlargement of an existing installation.....	34
9	ACCESSORIES.....	35
9.1	Remote control RCC-02/-03.....	35
9.2	Battery temperature sensor BTS-01	36
9.2.1	Connecting the temperature sensor (BTS-01)	36
9.3	Remote control module RCM-10 (XTM/XTS)	36
9.3.1	Connection of the RCM-10 module.....	36
9.4	Time and communication module TCM-01 (XTS)	37
9.5	Auxiliary relay module ARM-02 (XTS)	37
9.6	External cooling fan unit ECF-01 (XTS)	37
10	OTHER XTENDER SYSTEM COMPATIBLE DEVICES	38
10.1	Battery status processor BSP-500/-1200	38
10.2	Communication module Xcom-232i	38
10.3	Communication sets Xcom-LAN/-GSM	38
10.4	Communication module Xcom-SMS	38
11	CONTROL.....	39
11.1	Main on/off control	39
11.2	Display and control panel	39
12	MAINTENANCE OF THE INSTALLATION	41
13	PRODUCT RECYCLING	41
14	EC DECLARATION OF CONFORMITY	41
15	COMMENTS TO DRAWINGS IN THE APPENDIX.....	42
16	DRAWING ELEMENTS (DC SIDE)	44
17	FIGURE ELEMENTS (AC PART)	45
18	MECHANICAL DIMENSION AND MOUNTING ELEMENTS.....	46
19	NAMEPLATE (FIG. 1B).....	46
20	TABLE OF FACTORY DEFAULT PARAMETER SETTINGS	47
21	TECHNICAL DATA.....	55

1 INTRODUCTION

Congratulations! You are about to install and use a device from the Xtender range. You have chosen a high-tech device that will play a central role in energy saving for your electrical installation. The Xtender has been designed to work as an inverter / charger with advanced functions, which can be used in a completely modular way and guarantee the faultless functioning of your energy system.

When the Xtender is connected to a generator or network, the latter directly supplies the consumers, and the Xtender works like a battery charger and backup device if necessary. The powerful battery charger has an exceptionally high efficiency and a power factor correction (PFC) close to 1. It guarantees excellent battery charging in all situations. The charge profile is freely configurable according to the type of battery used or the method of usage. The charge voltage is corrected depending on the temperature, thanks to the optional external sensor. The power of the charger is modulated in real time dependent according to the demand of the equipment connected at the Xtender output and the power of the energy source (network or generator). It can even temporarily backup the source if the consumer demand exceeds the source capacity.

The Xtender continuously monitors the source to which it is connected (network or generator) and disconnects itself immediately if the source is missing, disturbed or does not correspond to the quality criteria (voltage, frequency, etc.). It will then function in independent mode, thanks to the integrated inverter. This inverter, which has an extremely robust design, benefits from Steca's many years of experience and expertise in this area. It could supply any type of load without faults, enjoying reserves of additional power that is unmatched in the market. All your equipment will be perfectly provided with energy and protected from power outages in systems where energy supply is unpredictable (unreliable network) or voluntarily limited or interrupted, such as hybrid installations on remote sites or mobile installations.

The parallel and/or three-phase network operation of the Xtender offers modularity and flexibility and enables optimum adaptation of your system to your energy requirements.

The RCC-02/-03 control, display and programming centre (optional) enables optimum configuration of the system and guarantees the operator continuous control for all important parameters in the installation.

In order to guarantee flawless commissioning and functioning of your installation, please read this manual carefully. It contains all the necessary information relating to the functioning of the inverters/chargers in the Xtender series. The setting up of such a system requires special expertise and may only be carried out by qualified personnel familiar with the applicable local regulations.

2 GENERAL INFORMATION

2.1 OPERATING INSTRUCTIONS

This manual is an integral part of each inverter/charger from the Xtender series.

It covers the following models and accessories¹:

Inverter/charger:

XTH 3000-12 – XTH 5000-24 – XTH 6000-48 – XTH 8000-48

XTM 1500-12, XTM 2000-12, XTM 2400-24,

XTM 3500-24, XTM 2600-48, XTM 4000-48

XTS 900-12, XTS 1200-24, XTS 1400-48

External cooling fan: ECF-01

Temperature sensor: BTS-01

Remote command module: RCM-10






Auxiliary relay module: ARM-02

For greater clarity, the device is referred to in this manual as Xtender, unit or device, when the description of its functioning applies indiscriminately to different Xtender models.

These operating instructions serve as a guideline for the safe and efficient usage of the Xtender. Anyone who installs or uses an Xtender can rely completely on these operating instructions, and is bound to observe all the safety instructions and indications contained. The installation and commissioning of the Xtender must be entrusted to a qualified professional. The installation and usage must conform to the local safety instructions and applicable standards in the country concerned.


¹ Also for 120Vac model (-01)

2.2 CONVENTIONS

	This symbol is used to indicate the presence of a dangerous voltage that is sufficient to constitute a risk of electric shock.
	This symbol is used to indicate a risk of material damage.
	This symbol is used to indicate information that is important or which serves to optimise your system.
	This symbol placed on the product indicates that its surfaces may reach temperatures higher than 60°C.
	This symbol placed on the product indicates that its use must follow the instructions in the user's manual.

All values mentioned hereafter, followed by a parameter number indicate that this value may be modified using the RCC-02/-03 remote control.

In general, the default values are not mentioned and are replaced by a parameter number in the following format: {xxxx}. The default values for this parameter are specified in the defaults parameter table, p. 47.

	All parameter values modified by the operator or installer must be transferred into the same table. If a parameter not appearing in the list (advanced parameters) has been modified by an authorised person with technical knowledge, they will indicate the number of the modified parameter(s), the specifications of the parameter(s) and the new value set, at the end of the same table.
---	--

All figures and letters indicated in brackets or in square brackets refer to items that can be found in the separate manual "Appendix to the installation and operating instructions" supplied with the device. In this appendix, these figures and letters are encircled.

- The **figures** in brackets refer to elements belonging to the **Xtender**.
- The **uppercase letters** in brackets refer to **AC** cabling elements.
- The **lowercase letters** in brackets refer to **battery** cabling elements.
- The comments on figures and items of the appendix are given starting on p. 42.

2.3 QUALITY AND WARRANTY

During the production and assembly of the Xtender, each unit undergoes several checks and tests. These are carried out with strict adherence to the established procedures. Each Xtender has a serial number allowing complete follow-up on the checks, according to the particular data for each device. For this reason it is very important never to remove the type plate (appendix 1 – fig. 3b) which shows the serial number. The manufacture, assembly and tests for each Xtender are carried out in their entirety by our factory in Sion (CH). The warranty for this equipment depends upon the strict application of the instructions appearing in this manual.

2.3.1 Exclusion of warranty

No warranty claims will be accepted for damage resulting from handling, usage or processing that does not explicitly appear in this manual. Cases of damage arising from the following causes are notably excluded from the warranty:

- Surge voltage on the battery input (for example, 48 V on the battery input of an XTH 3000-12)
- Incorrect polarity of the battery
- The accidental ingress of liquids into the device or oxidation resulting from condensation
- Damage resulting from falls or mechanical shocks
- Modifications carried out without the explicit authorisation of Steca
- Nuts or screws that have not been tightened sufficiently during the installation or maintenance
- Damage due to atmospheric surge voltage (lightning)
- Damage due to inappropriate transportation or packaging
- Disappearance of original marking elements

2.3.2 Exclusion of liability

The placement, commissioning, use, maintenance and servicing of the Xtender cannot be the subject of monitoring by Steca. Therefore, we assume no responsibility and liability for damage, costs or losses resulting from an installation that does not conform to the instructions, defective functioning or deficient maintenance. The use of a Steca inverter is the responsibility of the customer in all cases. Steca shall in no event be liable for consequential, incidental, contingent or special damages, even if having been advised of the probability of such damages. This equipment is neither designed nor guaranteed to supply installations used for vital medical care nor any other critical installation carrying significant potential damage risks to people or the environment.

Steca assumes no responsibility for the infringement of patent rights or other rights of third parties that result from using the inverter.

Steca reserves the right to make any modifications to the product without prior notification.

2.4 WARNINGS AND NOTES

2.4.1 General



This manual is an integral part of the device and must be kept available for the operator and installer. It must remain close to the installation so that it may be consulted at any time.

The parameter table available at the end of the manual (p. 47) must be kept up to date in the event of modification of the parameters by the operator or installer. The person in charge of installation and commissioning must be wholly familiar with the precautionary measures and the local applicable regulations.



When the Xtender is running, it generates voltage that can be potentially lethal. Work on or close to the installation must only be carried out by thoroughly trained and qualified personnel. Do not attempt to carry out on-going maintenance of this product yourself. The Xtender or the generator connected to it may start up automatically under certain predetermined conditions.

When working on the electrical installation, it is important to be certain that the source of DC voltage coming from the battery as well as the source of AC voltage coming from a generator or network have been disconnected from the electrical installation.

Even when the Xtender has been disconnected from the supply sources (AC and DC), a dangerous voltage may remain at the outputs. To eliminate this risk you must switch the Xtender OFF using the ON/OFF button (1). After 10 seconds the electronics is discharged and intervention may take place without any danger.

All elements connected to the Xtender must comply with the applicable laws and regulations. Persons not holding written authorisation from Steca are not permitted to proceed with any change, modification or repairs that may be required. Only original parts may be used for authorised modifications or replacements.

This manual contains important safety information. Read the safety and working instructions carefully before using the Xtender. Adhere to all the warnings given on the device as well as in the manual, by following all the instructions with regard to operation and use.

The Xtender, except XTS, is only designed for indoor use and must under no circumstances be subjected to rain, snow or other humid or dusty conditions. The maximum specifications of the device shown on the type plate, as at fig. 1b, must be adhered to.

In the event of use in motorised vehicles, the Xtender must be protected from dust, splash water and any other humid condition. It must also be protected from vibration by installing absorbent parts.



The Xtender can be installed at altitudes up to 3000m. For installations at higher altitudes, please contact Steca. The Xtender is in overvoltage category III, which indicates that it can be installed directly after the protection device at the entrance of a building.

2.4.2 Precautions when using batteries



The batteries should only be chosen, dimensioned and installed by qualified personnel, trained in this specific area.

Lead-acid or gel batteries produce a highly explosive gas with normal use. No source of sparks or fire should be present in the immediate vicinity of the batteries. The batteries must be kept in a well-ventilated place and be installed in such a way as to avoid accidental short-circuits when connecting.

Never try to charge frozen batteries.

When working with the batteries, a second person must be present in order to lend assistance in the event of problems.

Sufficient fresh water and soap must be kept to hand to allow adequate and immediate washing of the skin or eyes affected by accidental contact with the acid.

In the event of accidental contact of the eyes with acid, they must be washed carefully with cold water for 15 minutes. Then immediately consult a doctor.

Battery acid can be neutralised with baking soda. A sufficient quantity of baking soda must be available for this purpose.

Particular care is required when working close to the batteries with metal tools. Tools such as screwdrivers, open-ended spanners, etc., may cause short circuits. Sparks resulting from these short-circuits can cause the battery to explode. Therefore, tools with insulated handles should be used and they should never be left to rest on top of the batteries.

When working with the batteries, all metal jewellery such as rings, watches with a metal bracelet, earrings, etc., must be taken off. The current supplied by the batteries during a short circuit is sufficiently powerful to melt the metal and cause severe burns.

Batteries at the end of their life-cycle should be recycled in accordance with directives from the responsible local authorities or the battery supplier. The batteries should never be exposed to fire as they may explode. Under no circumstances should you try to take apart or dismantle the battery, as they contain toxic and polluting materials. For ungrounded battery systems, always check that they are not inadvertently grounded before starting work on the batteries.

Always follow carefully the instructions of the battery manufacturer.

3 ASSEMBLY AND INSTALLATION

3.1 HANDLING AND MOVING

The weight of the Xtender can be up to 50kg depending upon the model. Use an appropriate lifting method as well as help from a third party when installing the equipment.

3.2 STORAGE

The equipment must be stored in a dry environment at an ambient temperature of between -20°C and 60°C. It stays in the location where it is to be used a minimum of 24 hours before being set up.

3.3 UNPACKING

When unpacking, check that the equipment has not been damaged during transportation and that all accessories listed below are present. Any fault must be indicated immediately to the product distributor or the contact given at the back of this manual.

Check the packaging and the Xtender carefully.

Standard accessories:

- Installation and operating instructions, c.f. Appendix 1.
- Mounting plate for XTH and XTS– fig. 2a (25)(26).
- One set of cable glands on the unit and/or apart.
- Four M6 screws and washer for XTS to assemble the support and the enclosure.

3.4 INSTALLATION SITE

3.4.1 XTM and XTH

Devices in the XTM and XTH range are designed for indoor use (IP20) and the place of installation must satisfy the following criteria:

- Protected from any unauthorised person.
- Protected from water and dust and in a place with no condensation.
- It must not be situated directly above the battery or in a cabinet with it.
- No easily inflammable material should be placed directly underneath or close to the Xtender.
- Ventilation apertures must always remain clear and be at least 20cm from any obstacle that may affect the ventilation of the equipment.
- In mobile applications, it is important to select an installation site that ensures as low a vibration level as possible.
- According to the IEC/EN 62109-1 norm, the level of pollution at the mounting place should not exceed PD2 (second-degree environment), which means that there can be pollution as long as it is not electrically conductive. XTS

XTS range appliances have a high grade of protection (IP54). They can therefore be installed outdoors, with exposure to dust and water splashes. It is recommended to avoid locations particularly exposed to salt-water splashes which are extremely aggressive (for instance under a vehicle chassis) or to solvent (motor oil) that can attack all non-metallic parts of the enclosure. Also avoid installing the XTS in direct sunlight or near a heat source (i.e. engine compartment). The presence of a heat source may reduce significantly the nominal power of the unit.

Reduce as much as possible exposure to sudden temperature changes as a variation in temperature may cause undesired condensation inside the enclosure.



The 4 mounting screws of the enclosure must be completely tightened with a torque of 5Nm in order to guarantee the IP 54 protection index. Any unused cable glands should be closed in a way that guarantees at least the same level of protection.

3.5 FASTENING



The Xtender is a heavy unit and must be mounted to a non-flammable support (wall) designed to bear such a load

The Xtender must be installed vertically onto heavy-duty material (concrete or metallic wall) and positioned vertically with cable glands oriented down. A sufficient space around it must be provided to guarantee adequate ventilation of the device (see figs. 2a).

3.5.1 Fastening of the XTH model

First fix the mounting bracket (26) supplied with the device using 2 \varnothing < 6-8 mm > screws**. Then hang the Xtender on the bracket. Fasten the unit permanently using 2 \varnothing < 6-8 mm > screws** on the two notches located at the underside of the case. Dimensions of the appliances are given on Fig 2a of the appendix 1.



A distance of at least 20 cm in between and/or around the XTH devices is required in order to guarantee sufficient ventilation.

3.5.2 Fastening of the XTM model

First fasten the top screw (6-8mm **) without washer on a solid wall (concrete or metallic wall) up to a distance of 2mm between head and wall. Hang the device from the screw. If deemed necessary, the upper support screw can be fully tightened after hanging the device. In theory, this is only necessary in mobile applications. To access the upper support screw to fully tighten it, remove the upper plastic grate (see 27 fig. 2a of the appendix).

Dismount the lower plastic grate of the device giving access to the wiring compartment. Carefully fix the device with two screws (\varnothing 6-8 mm) in the two holes located at the bottom left and right of the wiring compartment.

If the Xtender is installed in a closed cabinet this must have sufficient ventilation to guarantee an ambient temperature that conforms to the operation of the Xtender.

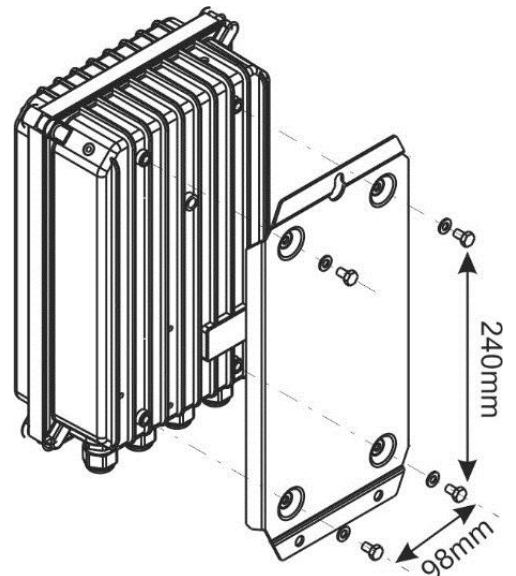
** : These items are not delivered with the device.



It is imperative to ensure complete and safe fastening of the device. A device that is simply hung may detach and cause severe damage.

3.5.3 Fastening of the XTS model

The XTS enclosure must be first mounted on the support plate with the 4 screws and washer delivered with the appliance according with figure aside. Then the unit can be fixed on a heavy-duty support (concrete or metallic wall) and positioned vertically with cable glands oriented down. An external ventilation unit (ECF-01, p. 37) can be installed on top of the unit before or after wall mounting.



The envelope of the XTS can reach temperatures higher than 60°C when used for a long period near its max power level. These high temperatures may remain present during several tens of minutes after stopping the unit. It is recommended to choose a place of installation in a restricted access area, away from children or any unauthorized person.

3.6 CONNECTIONS

3.6.1 General recommendations

The Xtender falls within protection class I (has a PE connection terminal). It is vital that a protective earth is connected to the AC-In and/or AC-Out PE terminals. An additional protective earth is located at the bottom of the unit (See sect 3.6.4 – p. 11/13, tag (17)).



In all cases, the PE conductor for the equipment must at least be connected to the PE for all equipment in protection class I upstream and downstream of the Xtender (equipotential bonding). It is mandatory that the legislation in force for the application concerned be adhered to.

Tighten of the input (13) and output (14) terminals by means of a no. 3 screwdriver (minimum 1.2 Nm tightening torque) and those for the remote entry ("REMOTE ON/OFF") (7) and "AUX.CONTAC" (8) by means of a no. 1 screwdriver (0.55 Nm tightening torque).

The cable cross-sections of these terminals must conform to local regulations.


All connection cables as well as the battery cables must be mounted using cable restraints in order to avoid any traction on the connection.

Battery cables must also be as short as possible and the cross-section must conform with the applicable regulations and standards. Sufficiently tighten the clamps on the "battery" inputs (fig. 4a (11) and (12) (10 Nm tightening torque).



Before connecting or disconnecting the entry or exit cables AC-In (13) and AC-Out (14), the installer must make sure that there is no voltage present in the cables OR on the terminals. Before connecting the battery, the installer must make sure that the AC-In source and the AC-Out loads are well disconnected.

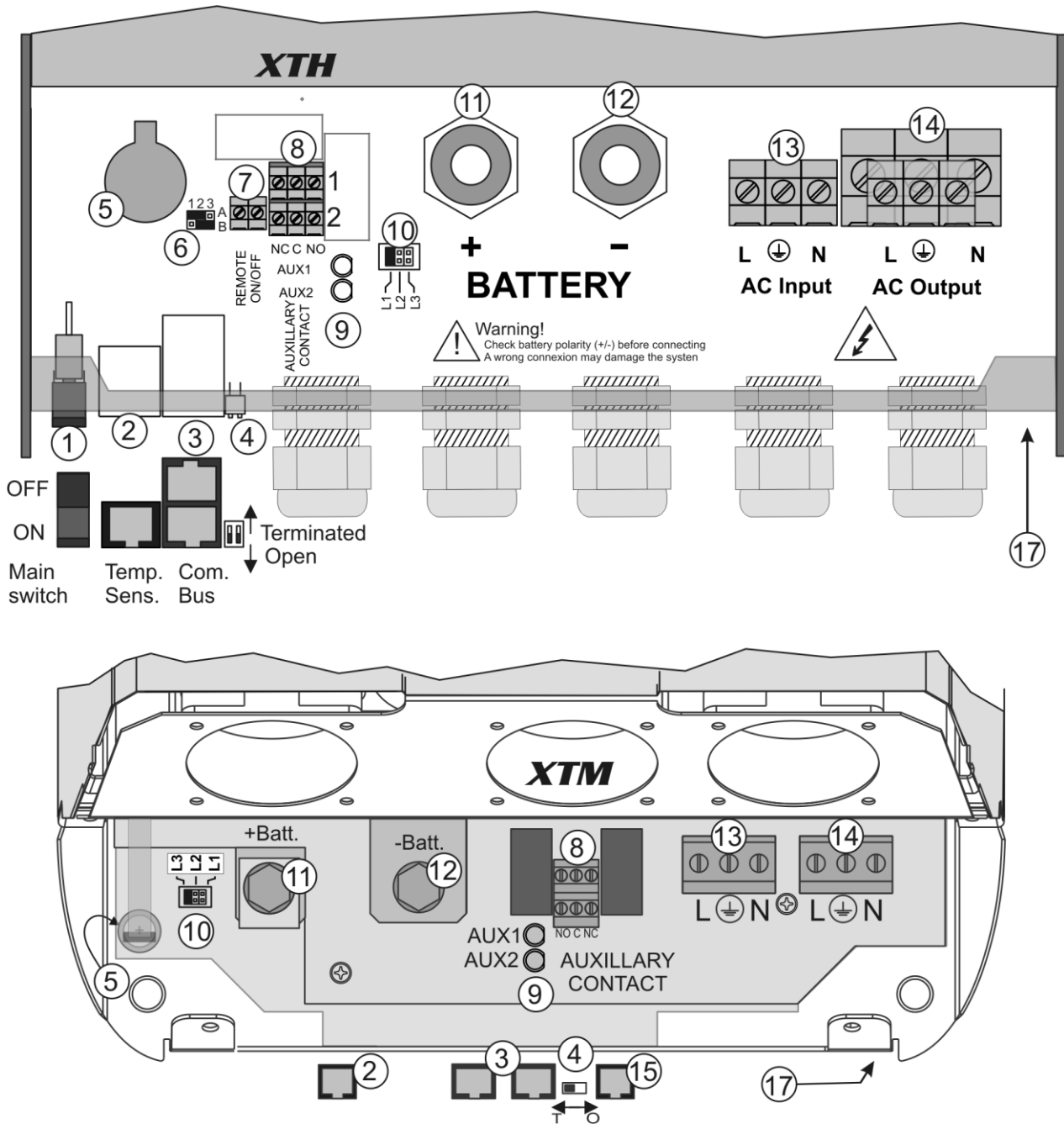
3.6.2 Connection compartment, XTH and XTM models




The unit's connection compartment must remain permanently closed when in operation. It is imperative to close the protection cap on the connection terminals after each intervention in the device.

After opening, check that all sources of AC and DC voltage (batteries) have been disconnected or put out of service.

Some accessible part inside the compartment can have surface temperature higher than 60°C. Wait for the complete cooling of the unit before opening the compartment.





Any unused cable entry on the device must be sealed to prevent any intrusion. An intrusion of small animals in the unit may cause serious damage not covered by warranty.

3.6.3 Connection compartment, XTS model

Fig. A

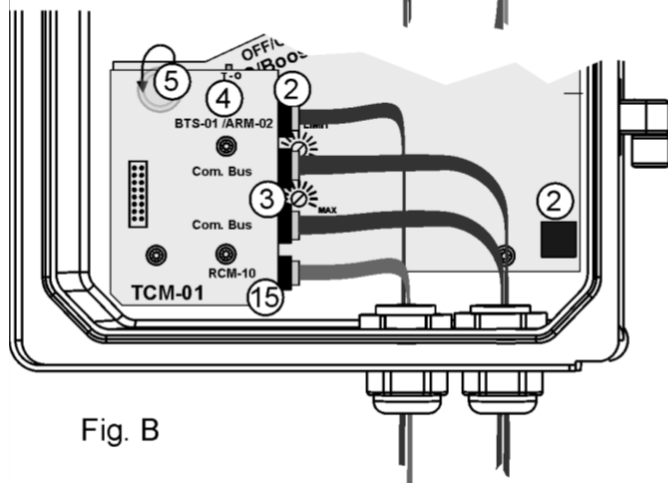
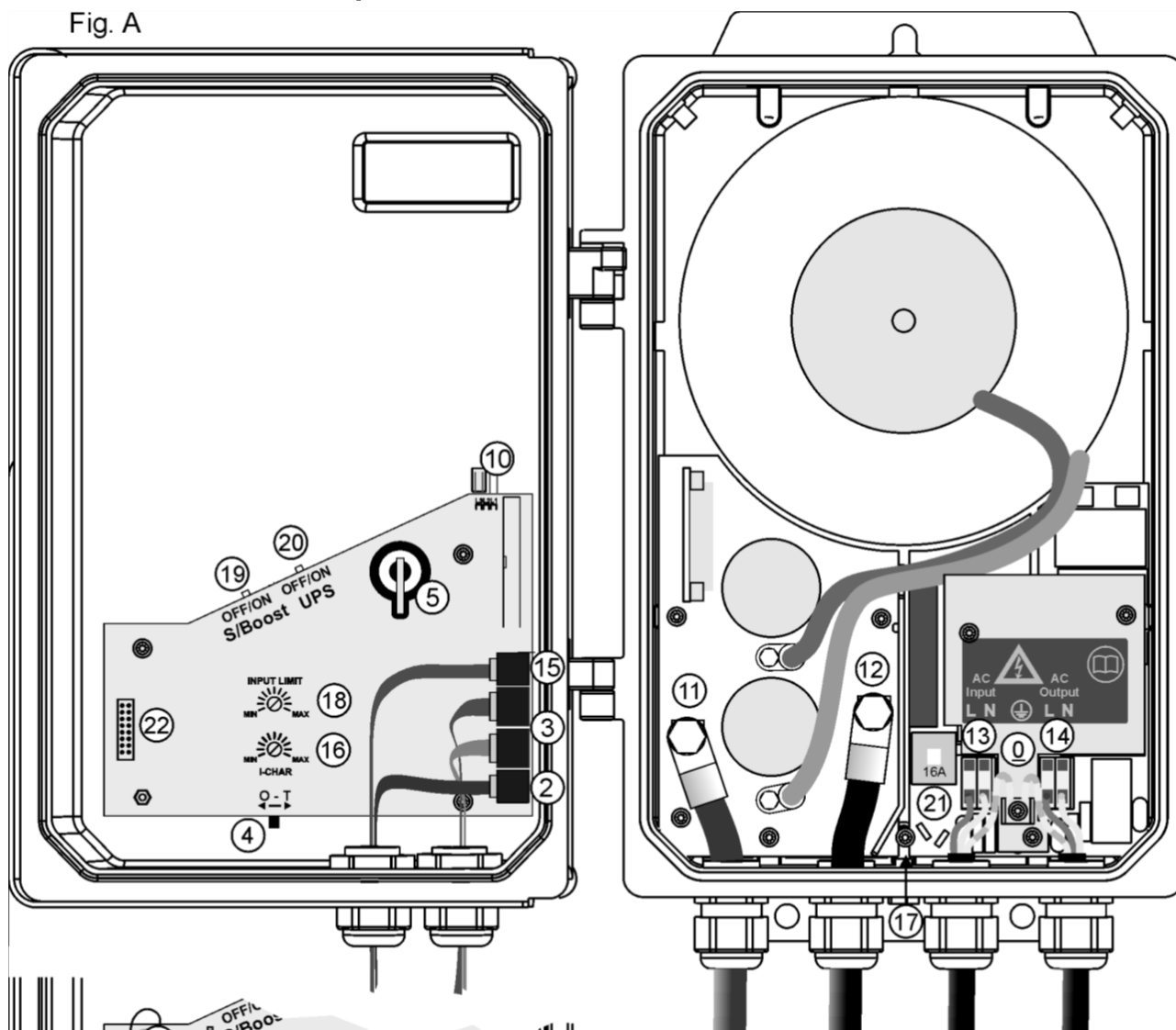





Fig. B

 Any unused cable entry on the device must be sealed to prevent any intrusion. An intrusion of small animals in the unit may cause serious damage not covered by warranty.

3.6.4 Elements of the connection compartments

Note: The left part of figure A shows the positions of elements (2, 3, 4, 5 and 15) as placed in recent devices. Figure B shows the positions of elements 2, 3, 4, 5 and 15 as placed on the communication module TCM-01 present in older versions of the device and described in chapter 9.4. The functionalities of the device are identical in both configurations.

Pos.	Denomination	Description	Comment
0		Protective earth connection terminal	This terminal is used as primary earth connection protection. (see chapter. 3.6.1 – p. 11)
1	ON/OFF Main switch	Main on/off switch	See sect. 11.1 – p. 39. In XTM and XTS series, this function is deported on the remote command module RCM-10. See sect. 9.3 – p. 36.
2	Temp. Sens	Connector for the battery temperature sensor	See sect. 9.2 – p. 36. Only connect the original Steca BTS-01 sensor.
3	Com. Bus	Double connector for connecting peripherals such as the RCC-02/03 or other Xtender units	Only Steca compatible device can be connected. The connection of any other device (LAN etc.) may damage the device. See chapter 4.5.9 – p. 23.
4	O / T (Open / Terminated)	Switch for terminating the communication bus. Set position (open) if the 2 connectors (3) are occupied. Set position T if only one is occupied.	On model XTH, the 2 termination switches (4) must be in the same position: either both in position O (open) or both in position T (terminated).
5	--	3.3 V (CR-2032) lithium ion type battery socket	Used as a permanent supply for the internal clock. See sect. 7.6 - p. 31.
6	--	Jumper for programming the off/on switch by dry contact	See sect. 7.7 – p. 31 and fig. 8b point (6) and (7). They are positioned at A-1/2 and B-2/3 by default.
7	Remote entry (REMOTE ON/OFF)	Remote entry terminals. In XTM series, this entry is deported on the remote command module RCM-10. See sect. 9.3 – p. 36	Allows the control of a function – to be defined by programming – by the closing of a dry contact or by the presence of a voltage across these terminals. See sect. 7.7 – p. 31).
8	AUXILLARY CONTACT	Auxiliary contact For XTS model, available only with module ARM-02 (see sect. 9.5 - p. 37	(See sect. 7.5 – p. 31) Take care not to exceed the admissible loads.
9	--	Activation indicators for auxiliary contacts 1 and 2	See sect. 7.5 – p. 31.
10	L1/L2/L3	Phase selection jumpers.	See sect. 8.1. – p. 34. Jumper default at position L1.
11	+BAT	Positive pole battery connection terminals	Carefully read sect. 4.5 – p.19 Take care with the polarity of the battery and when tightening the clamp.
12	-BAT	Negative pole battery connection terminals	
13	AC Input	Connection terminals for the alternative power supply (generator or public network)	See sect. 4.5.7 - p. 23. Note: It is imperative that the PE terminal be connected.
14	AC Output	Connection terminals for the device output.	See sect. 4.5.6 - p. 23. Note: Increased voltages may appear on the terminals, even in the absence of voltage at the input of the inverter.
15	RCM-10	Connector for RCM-10 module	Only on XTM and XTS. See sect. 9.3 – p. 36
16	I-CHAR	Rotating knob to adjust the battery charge current	Only in XTS model.

Pos.	Denomination	Description	Comment
17		Connection for supplementary protective earth.	This connection can also be used as principal protective earth. See sect. 3.6.1 – p. 11.
18	INPUT LIMIT	Rotating knob to adjust the input current limit	Only in XTS model. For other models, see sect. 7.2.2 – p. 27.
19	OFF/ON S/Boost	Activation of source assistance "Smart-Boost" function	Only in XTS model. For other models, see sect. 7.2.2.4 – p. 28.
20	OFF/ON UPS	Setting of sensitivity of the detection of AC input loss: OFF=tolerant / ON=Fast	Only in XTS model. For other models, see section. 7.2.1 – p. 27.
21	16A	AC input protective device: Only on XTS model. This protective device will trip in case of excessive load when the XTS is connected to an unprotected source higher than 16A. It can be reset after removing the default downstream (load too high) and upstream (source greater than 16A. (check the unit is connected thru an upstream protective device (fuse or circuit breaker) max. 16 A.	

3.6.5 Tightening torque

The tightening torque of different connection points should be checked regularly, especially in installations exposed to strong vibrations (mobile systems, vehicles, boats,...). The table below states the recommended tightening torques for each connection:

Location	XTH	XTM	XTS
AC connector	1,6 Nm, with the exception of AC-Out for XTH 8000-48 : 4Nm	1,6 Nm	to clip on
DC screw	10 Nm	10 Nm	4 Nm
Exterior (only XTS)	-	-	5 Nm

3.6.6 Max permissible cable cross-sections

The cable cross-section should be defined according to the information in chap. 4.5.1. The max permissible cable cross-section for each device is defined by the size of the corresponding cable gland, which is indicated in the below table:

	XTH	XTM	XTS
Max Section AC [mm ²] / Cable gland	10, 25 for XT 8000 / PG21	10 / PG21	4 / PG16
Max Section DC [mm ²] / Cable gland	95 / PG21	95 / PG21	35 / PG16
Max section auxiliary relay / Cable gland	2,5 / PG13.5	2,5 / PG13.5	2,5 / no cable gland (ARM-02)

4 CABLING

The connection of the Xtender inverter / charger is an important step of the installation. It may only be carried out by qualified personnel and in accordance with the applicable local regulations and standards. The installation must always comply with these standards. Pay attention that connections are completely tightened and that each wire is connected at the right place.

All cables must be insulated. The IEC/EN 62109-1 norm states requires that the cables must be insulated with PVC, TFE, PTFE, FEP, neoprene or polyimide.

4.1 CHOICE OF SYSTEM

The Xtender may be used in different system types, each of which must meet the standards and particular requirements associated with the application or site of installation. Only an appropriately qualified installer can advise you effectively on the applicable standards with regard to the various systems and the country concerned.

Examples of cabling are presented in appendix I of this manual, fig. 5 and following. Please carefully read the notes associated with these examples in the tables on p. 33 and following.

4.1.1 Hybrid stand-alone systems


The Xtender can be used as a primary supply system for off-grid sites where a renewable energy source (solar, wind or hydraulic) is generally available and a generator is used as backup. In this case, batteries are generally recharged by a supply source such as solar modules, wind power or small hydropower systems. These supply sources must have their own voltage and/or current regulation system and are connected directly to the battery. (Example, fig. 11)

When the energy supply is insufficient, a generator is used as a back-up energy source. This allows the batteries to be recharged and direct supply to consumers via the Xtender transfer relay.

4.1.2 Grid-connected back-up systems

The Xtender can be used in a back-up system, also known as an uninterruptible power supply (UPS) – enabling a reliable supply to a site connected to an unreliable network. In the event of an interruption to the energy supply from the public network, the Xtender, connected to a battery, substitutes the faulty source and enables a support supply to the users connected downstream. These will be supplied as long as the energy stored in the battery is sufficient. The battery will quickly be recharged at the next reconnection to the public grid.

Various application examples are described in figs. 8a – 8c in appendix 1.

	The use of Xtenders in a UPS back-up system must be carried out by qualified personnel who have been checked by the responsible local authorities. The diagrams in the appendix are given for information and as a supplement. The applicable local standards and regulations must be adhered to.
---	---

4.1.3 Integrated mobile systems

These systems are meant to be temporarily connected to the grid and ensure the supply of the mobile system when this is disconnected from the grid. The main applications are for boats, service vehicles and leisure vehicles. In these cases, two separate AC inputs are often required, one connected to the grid and the other connected to an on-board generator. Switching between two sources must be carried out using an automatic or manual reversing switch, conforming to the applicable local regulations. The Xtender has a single AC input.

Various application examples are described in figs. 10a – 10b – 10c.

4.1.4 Multi-unit systems

Whatever system is selected, it is possible to realise systems composed of several units of the same type and the same power output. Up to three Xtender in parallel or three extenders forming a three-phase grid or three times two or three Xtender in parallel forming a three-phase / parallel grid, may be thus combined.

4.1.5 Distributed minigrid

The implementation of the Xtender on top of a distributed minigrid (beyond the main building) requires special care in choosing the distribution system.

Steca recommends a TT distribution for the DC grid as well as for the AC grid.



The size of the grid increases greatly the exposure of the inverters to atmospheric overvoltage and to non-equipotentiality in the grid. This is particularly noticeable in the aerial distribution grids. In this case, very special care must be taken to implement correctly all protection measures of the installation.



The IT system is not recommended for the distribution. This kind of distribution is most of the time forbidden by the local laws. The achievement of low voltage electric system is always subject to local laws and must imperatively be implemented and controlled by qualified and professionally authorized staff. Steca accepts no liability for damages due to non-conforming installation and to the lack of compliance with the local rules or with the recommendations of this manual.

4.2 EARTHING SYSTEM

The Xtender is a protection class I unit, which is intended for cabling in a grid type TT, TN-S or TNC-S. The earthing of the neutral conductor (E) is carried out at a sole installation point, upstream of the RCD circuit breaker (D) type A, 30 mA.

The Xtender can be operated with any earthing system. In all cases it is imperative that the protective earth be connected in compliance with the applicable standards and regulations. The information, notes, recommendations and diagram mentioned in this manual are subject to local installation regulations in every case. The installer is responsible for the conformity of the installation with the applicable local standards.

4.2.1 Mobile installation or installation connected to the grid via plug connector

When the input of the device is connected directly to the grid via a plug, the length of the cable must not exceed 2 m and the plug must remain accessible.

In the absence of voltage at the input, the neutral and live are interrupted, thereby guaranteeing complete isolation and protection of the cabling upstream of the Xtender.

The earthing system downstream of the Xtender is determined by the upstream earthing system when the grid is present. In the absence of the grid, the earthing system downstream of the inverter is in isolated mode. The safety of the installation is guaranteed by the equipotential bonding.



The connection (link) between the neutrals (C) upstream and downstream of the Xtender is not permitted in this configuration.

This connection type guarantees the optimal continuity for supplying the Xtender loads. The first isolation fault will not lead to an interruption in the supply.

If the installation requires the use of a permanent isolation controller this would have to be deactivated when the TT network is present at the Xtender input.



All sockets and protection class I devices connected downstream of the Xtender must be properly connected to the earth (earthed socket). The cabling rules above remain valid, including in installations, in all cases where the Xtender input is connected to the grid via a plug connector.

4.2.2 Stationary installation

The installation may be equivalent to a mobile installation (with interrupted neutral).

In a fixed installation where the neutral is connected to the earth at a single installation point upstream of the Xtender, it is permissible to carry out a connection of the neutrals in order to preserve an unchanged earthing system downstream, independent of the operating mode of the Xtender. This choice has the advantage of keeping the protection devices downstream of the Xtender. This connection can be executed according to the examples in appendix 1, or carried out by modifying the parameter {1486}.

In this case, the appearance of the first fault will lead to the installation stopping or the disconnection of the protection devices upstream and/or downstream of the Xtender.

Safety is guaranteed by the equipotential bonding and by any RCD circuit breakers placed downstream.

This connection (C) is not permitted if a socket is installed upstream of the Xtender.

4.2.3 Installation with automatic PE-neutral switching

In certain applications, it is desirable to keep the neutral upstream and downstream of the Xtender separated (C) while re-establishing the earthing system (TN-S, TT or TNC-S) in the absence of voltage at the input. This functionality is forbidden by default by the parameter {1485}. This parameter can be modified by the parameter {1485} via the RCC-02/-03 remote control. This modification must be carried out possessing technical knowledge, at the responsibility of the installer and in conformity with the applicable regulations and standards.

The authorization of this function adheres to the requirements for an earth-neutral connection at the source.

4.2.4 Lightning protection

As per the installation site, it is highly recommended to set a protection strategy to protect your installation against lightning. The strategies depend on various parameters directly linked to each site and we recommend therefore dealing very professionally with this issue.



Damages due to lightning often result in significant costs (full replacing of the printed electronic board) and are not covered by Steca's warranty.

4.3 RECOMMENDATIONS FOR DIMENSIONING THE SYSTEM

4.3.1 Dimensioning the battery

The battery capacity is dimensioned according to the requirements of the user – that is 5 to 10 times its average daily consumption. The discharge depth of the battery will therefore be limited and the service life of the battery will be extended.


On the other hand, the Xtender must have a battery capacity that is large enough to be able to take full advantage of the performance of the equipment. The minimum capacity of the batteries (expressed in Ah) is generally dimensioned in the following way: five times the rated power output of the Xtender / the battery voltage. For example, the model XTH 8048 must have a battery of a minimum capacity of $7000 \cdot 5 / 48 = 730$ Ah (C 10). Because of the inverter's extreme overload capacity, it is often recommended that this value be rounded up. An under-dimensioned battery may lead to an accidental and undesired stopping of the Xtender in the event of high instances of use. This stoppage will be due to a voltage that is insufficient on the battery, subject to a strong discharge current.

The battery will be selected with regard to the greatest value resulting from the calculations set out above.



The battery capacity determines the adjustment of the parameter {1137} "battery charge current". A value between 0.1 and 0.2 x C batt. [Ah] (C10) enables an optimum charge to be guaranteed.



The methods proposed to dimension the batteries; inverter and generator are strictly indicative and in no way constitutes a guarantee of perfect dimensioning. The installer is solely responsible for good dimensioning and installation.


	<p>Each Xtender is connected directly to the battery through its own protective device (fuse or circuit breaker). It should <u>never</u> be connected to the output of a DC voltage regulator like solar regulator, without having the battery as buffer.</p> <p>All other consumers or sources are connected directly to the battery by their own protective devices. (See details (f) on Fig. 11-18)</p>
---	--

Lead batteries are usually available in 2 V, 6 V or 12 V block types. In the majority of cases, in order to obtain an operating voltage that is correct for Xtender usage, several batteries must be connected in series or in parallel depending on the circumstances.

	In multi-unit systems, all Xtenders from the same system must be connected according to the same battery bank.
	The XTS is equipped with an electronic protection device protecting it from accidental reversal of polarity of the battery. This does not exempt of installing a protective device close to the battery.


The various cabling options are presented in figures 5a-5b (12 V), 5c-5e (24 V) and 6a to 6d (48 V) in appendix I of this manual.

4.5.1 Battery cable cross-section and DC protective devices

	<p>The battery cables must be protected by one of the following measures in all cases:</p> <ul style="list-style-type: none"> - protection device (fuse) at each pole - protection device (fuse) on the pole not connected to the earth
--	---

Range	Battery fuse	Cable cross-section (<3m)
XTS-900-12	100A	25mm ²
XTS 1200-24	80A	25mm ²
XTS-1400-48	50A	16mm ²
XTM-4000-48	200A	50mm ²
XTM-2600-48	150A	35mm ²
XTM-3500-24	300A	70mm ²
XTM-2400-24	200A	50mm ²
XTM-2000-12	300A	70mm ²
XTM-1500-12	250A	70mm ²
XTH-8000-48	300A	95mm ²
XTH-6000-48	300A	70mm ²
XTH-5000-24	300A	95mm ²
XTH-3000-12	350A	95mm ²

The battery cables must also be as short as possible. It is always preferable to keep the cable at the negative pole of the battery as short as possible. In order to avoid any further loss and protection redundancy, the XTH does not have an internal fuse. A protective device (f) must be installed as close as possible to the battery and sized according to the table on the left. The recommended cable cross-sections are valid for lengths less than 3 m. beyond this length it is strongly recommended to oversize the battery cables. For safety reasons, we recommend an annual check on the tightness of all connections. In mobile installations, the tightness of the connections should be checked even more frequently.

	The cable lugs must be carefully fixed and tightened sufficiently to guarantee minimum loss. Insufficient tightening may cause dangerous heating at the connection point.
---	---

4.5.2 Connecting the battery (Xtender side)

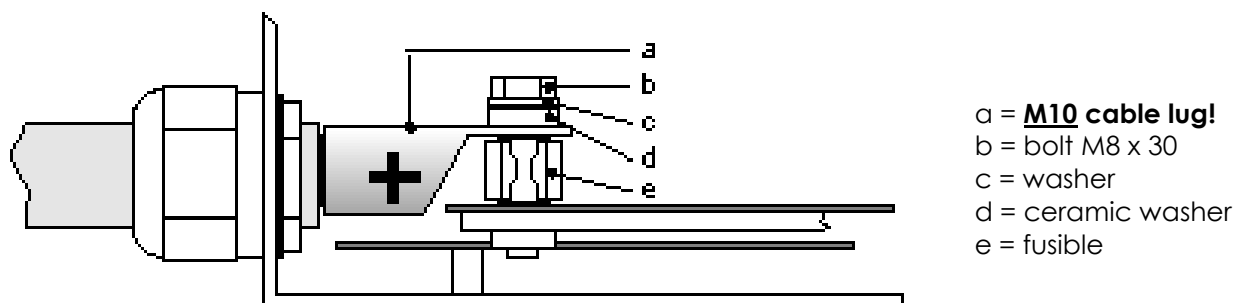
Insert the cable glands supplied on the battery cable before tightening the cable lugs. Crimp the cable lugs and fasten the cable gland on the device. Repeat this for the second battery cable. Fix the battery cables to the appropriate connections "+ Battery" and "- Battery". The M8 screws must be very well tightened.

On the XTM range, you can insert, if required, a fuse directly on the positive connection to the battery following the procedure below.

4.5.3 Fuse mounting on battery positive pole (XTM only)

A fuse delivered with the unit (XTM) can be mounted directly on the positive connecting pole to the battery respecting the below stacking order.

The presence of this fuse does not exempt an installation of a protective device (fuse or circuit breaker) as close as possible to the battery.



Be careful with the orientation of the ceramic washer. There is a small lip on one side, which must fit into the M10 cable lug's hole.

4.5.4 Battery-side connection



Before connecting the battery, carefully check the voltage and polarity of the battery using a voltmeter. Incorrect polarity or over-voltage may seriously damage the device.

Prepare the batteries for connection: appropriate battery clamps, protection device (f), cable in good conditions with correctly fitted clamps.

Fasten the negative cable on to the negative pole (-) of the battery and the positive cable on the open protection device (f).



When connecting the battery, a spark may occur when connecting the second pole. This spark is normal and due to the load of the internal filtering capacity of the Xtender even if the unit is halted by the main on off command (1).



Regarding the connection of the battery, it is necessary to check that the parameter values of the Xtender are consistent with the recommendations of the battery manufacturer. Non-conforming values may be dangerous and/or seriously damage the batteries.

The default values of the battery's charge threshold level are shown in fig. 3a and specified in the parameter table p.47. If they are not acceptable when compared to the battery manufacturer's specification, it is necessary to modify them via the RCC 02/03 remote control before connecting the voltage sources on the AC input (charger). Steca is not responsible for default values not corresponding with the recommendations of the manufacturer.

If the factory settings are modified, the new values must be entered on the parameter table on p. 47 of this manual. The default values proposed by Steca are the usual values for lead acid battery or gel batteries (VRLA or AGM).


The cabling and connection of the installation should only be carried out by an appropriately qualified professional. The installation material such as cables, connectors, distribution boxes, fuses, etc. must be adapted and must conform to the applicable laws and regulations the application under consideration.

4.5.5 Earthing of battery

One of the two battery conductors can be earthed. This may be either the positive or the negative pole. In all cases, the installation must conform to the local regulations and usage or specific standards associated with the application.

In case of earthing, the earthing conductor cross-section must at least be equivalent to the cross-section of the battery conductor. The earthing of the equipment must also adhere to these regulations. In this case the use of the additional earthing screw is recommended ((17) p. 12/13, which is located at the front of the device between the two lower fastening screws.

4.5.6 Connecting the consumers at the AC output



High voltages may be present on the connection terminals (13) and (14). Make sure that the inverter is deactivated and that there is no AC or DC voltage present on the AC-IN terminals and battery terminals, before proceeding with the connection.

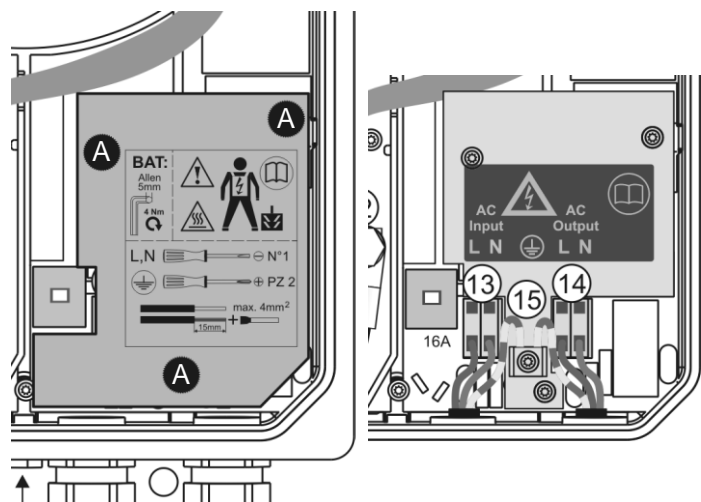
The 230 V consumers must be connected on the "AC-OUT" (14) connection terminals with the wire cross-section conforming to the standards with regard to the rated current at the Xtender output (see fig. 1a). Distribution must conform to the local standards and regulations, and generally, be realised via a distribution table.

The Xtender terminals are marked in the following way:

N = neutral, L = live

 = protective earth (connected to the enclosure of the device).


On the model XTS remove the cover plate by unscrewing the three screws (A figure below) to access the input/output AC terminals (13-14) and protective earth (15).



4.5.6.1 Sizing of AC output protective devices:

If protective devices are installed at the output, we recommend B curve devices. They will be sized at maximum to the highest value listed on the unit's nameplate at point (37) (Fig. 1a of the Appendix) or by the addition of the first value plus the value of the input protective device. (i.e. inverter current + input current).


Cross-sections of downstream wiring must be sized accordingly



No downstream protective device is formally required if cross-sections of cable used for distribution satisfy regulatory requirements for the largest rated output current listed on the nameplate at the point (37) of Appendix 1a.

If the source assistance function (Smart-Boost)(see sect. 7.2.2- p. 27 is not used; the size of the protection device for the output (F) will be established at a maximum value equal to the rated current of the inverter, or at the maximum value of the protection device at the input (H) if that one exceeds the rated current of the inverter.

If the AC input (13) is not used the protective device will be sized equal or smaller than the smaller value indicated on the nameplate on tag (37)



Due to the source assistance function (Smart-Boost) the current at the output of the device may be higher than the rated current of the inverter. It is the sum of the current supplied by the additional source and the current supplied by the inverter. In this case, the dimensioning of the output cables will be carried out by adding the current indicated on the protection device (H) located on the upstream of the unit, to the nominal current of the inverter. (See fig. 1a and chap. 7.2.2.4 – p. 28)

4.5.7 Connecting the AC supply sources

The Xtender is intended to be supplied by alternative voltage sources such as the public grid or a generator. Check that the rated voltage of the source corresponds to the rated voltage (34) of the Xtender specified on the nameplate (fig. 1b) tag (34).

The source must be connected to the input terminals marked "AC INPUT" (13) with sufficient wire cross-section, depending on the power output of the source, and protected by a protection device of the appropriate calibre. This will be at the **maximum 50A for XTH and XTM** range and **16A for XTS** appliances.

The terminals are marked in the following way:

N = neutral, L = live

 = protective earth (connected to the enclosure of the device).



An additional earthing terminal (17) is present between the two fastening screws at the bottom of the unit. It can be used instead of a connection on the input terminals of the device, particularly when cable cross-sections used at the output do not allow the use of a three-wire cable (live, earth and neutral) through the conduit glands of the connection cables of the input and output (AC-IN and AC-OUT), or when the earthing of one of the poles of the battery. PE required using same or greater cross-sections than the battery cable.

4.5.8 Wiring auxiliary contacts

These contacts are reversing contacts that are potential-free available in XTH and XTM units. On XTS models, these auxiliary contacts are available on the external auxiliary relay module (accessory) ARM-02 (see sect. 9.5 – p. 37). The admissible currents and voltages for these contacts are 16 A: 250 Vac/24Vdc or 3 A: 50 Vdc max. The contact is shown as activated when the corresponding LED is lit. The representation of the contact near the terminals corresponds to the status of the contact when not activated.

The cabling of these auxiliary contracts depends solely on the chosen application and on the specific programming applied and cannot be described in this manual.

To dedicate/program particular functions to these contacts, please refer to user manual of the remote control unit RCC-02/03

The factory-set functions for these 2 auxiliary contacts are covered in the sect. 7.5 – p. 31.



Cable-glands that are not in use must be properly closed. If this instruction is not respected, the equipment loses its degree of protection (IP54) and dust or small animals may enter the equipment causing significant damage, which is not covered by the warranty.

4.5.9 Connecting the communications cables

The Xtenders are equipped with a pair of RJ45/8 connectors that allow information transfer via a communication bus in between devices or accessories that use the proprietary protocol of Steca. In this network, all parties in the network are connected in series (chain).

The length of the communication bus cable must not exceed 300 m.


When the Xtender is connected to the remote control RCC-02/-03 or another Xtender compatible device (VarioTrack, BSP etc.) it is possible that their software versions differ. It is important to harmonize the software versions of all Xtender compatible products in a system. The update is made by the remote control RCC-02/-03 from an SD card with a firmware version at least corresponding to the most recent device.



When connecting the device with other compatible devices (Xtender, VarioTrack, BSP, RCC, Xcom or other) using the same communication bus, it is highly recommended to make a software update of all components in the system in order to guarantee its functionalities. Therefore, before starting the setup of the device, download the latest software version from our website: www.steca.com on an SD card. Follow the instructions in the RCC manual for a successful installation.

In a system comprising a single Xtender, the connection of the RCC-02 or RCC-03 units may be conducted without stopping the Xtender (hot plug).

The communication bus will be used to interconnect other Xtender inverters in the case of a multi-unit application or to connect other types of users who have the proprietary protocol of Steca. In these cases, the plug-in of interconnected units is done only after the switch-off of the installation, by disconnecting the battery or by using the main "ON/OFF" button (1) if present.



The 2 switches for the communication bus termination, "Com. Bus" (4) both remain in position T (terminated) except when both connectors are in use. In this case, and only in this case, both must be placed in the O open position. If one of the two connectors is not in use, the two termination switches (14) will be in position T.

5 XTENDER PARAMETER SETTINGS


Xtender inverters have by default a number of factory settings and most of them can be modified by the user or installer. Some basic parameters mentioned in Chapter 7 must be set at the commissioning. For XTM and XTH models, this setting must be done by connecting the remote control described in RCC-02/03 chap. 7.3.1 - p. 36. For the XTS model, four of them can be done directly in the unit before powering up.

The remote control "RCC-02/-03" manual contains a complete description of available features and associated parameters. The manual is available to download from the website www.steca.com.

When the Xtender is connected to the remote control RCC-02/-03 or another Xtender compatible device (VarioTrack, BSP etc.) it is possible that their software versions differ. It is important to harmonize the software versions of all Xtender compatible products in a system. The update is made by the remote control RCC-02/-03 from an SD card with a firmware version at least corresponding to the most recent device.

5.1 BASIC PARAMETER SETTINGS IN THE XTS

For XTS models, 4 parameters / basic functions can be modified directly on the compartment inside the door. All other parameters can be adjusted, if necessary, via the remote control RCC-02/03.



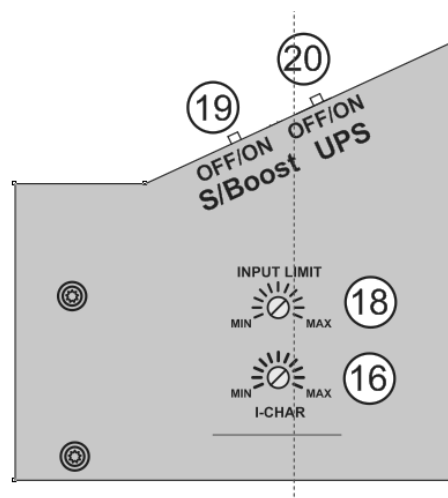
Before opening the enclosure, it is mandatory to disconnect all AC and DC sources (battery) of the product to avoid any risk of electrical shock.

- The battery current charge {1138} as described in chap. 7.3.2 - p. 30 by using the potentiometer (16)


Model	Potentiometer grading, min - max
XTS12V	0 – 35 Acd
XTS24V	0 – 25 Acd
XTS48V	0 – 12 Acd

- The max. AC source (input limit) {1107} as described in chap. 7.2.2 - p. 27 by using the potentiometer (18). The potentiometer can be adjusted between 0 – 16 Aac.
- The source current assistance (Smart-Boost) function {1126} as described in chap. 7.2.2.1 - p. 27 by using the slide button (19)
- The type of detection of AC-input loss (UPS) Fast/Tolerant/slow {1552} as described in chap. 7.2.1 - p. 27 by using the slide button (20)

These manual adjustments can be prevented using parameter {1551} on the remote control RCC-02/-03. These values will then be defined by parameters from the remote control. If the parameter {1551} is set to "yes" the buttons 16, 18, 19 and 20 remain inactive even if the remote control RCC-02/-03 and/or the communication module Xcom-232i are removed after the initial setting.




6 POWERING UP THE INSTALLATION

	<p>It is imperative that the closing cap for the connection compartment (XTM and XTH) and the XTS enclosure is correctly installed and screwed tight before turning on the power. There are dangerous voltages within the interior of the connection compartment.</p> <p>Attention: only a complete tightening of all 4 mounting screws of the XTS enclosure guarantees the IP 54 protection index.</p>
---	---

The Power up of the Xtender must be carried out in the order given below. Any Power off must be carried out in the reverse order.

6.1 CONNECTING THE BATTERY

	<p>A too high or inappropriate battery voltage may seriously damage the Xtender. For example, installing a 24 V battery in the Xtender 3000-12.</p> <p>If the Xtender (XTH or XTM) has been connected the wrong way around by accident (incorrect polarity of the battery) it is highly likely that the protection fuse on the battery cable may melt and will have to be replaced. If such is the case, it will be necessary to disconnect all the connections to the Xtender including the battery. If, after replacing the fuse, the Xtender proves not to work correctly after reconnecting the battery with the correct polarity, it will have to be returned to your distributor for repair.</p> <p>The XTS is electronically protected against reverse polarity. In case of reverse polarity connection, the unit will remain off. No alarm will signal the fault. It will operate normally after recovery of the correct polarity.</p>
---	--

6.2 PUTTING THE XTENDER(S) IN OPERATION USING THE MAIN ON/OFF SWITCH (1) IF PRESENT

The Xtender is supplied and is ready for operation. If you require immediate start-up of the inverter when the battery is powered up, the main switch (1) must be in the "ON" position and the parameter {1111} activated. If special configurations or settings are required by the system, it is recommended to do so immediately according to sect. 5 - p. 24.

6.3 CONNECTING THE CONSUMERS AT THE OUTPUT

Activate the output protection device (F) if existing, and/or press the ON/OFF button (41). The light indicator "AC-Out" (46) lights up or flashes (in the event of an absence of consumers).

6.4 ACTIVATING THE INPUT CIRCUIT BREAKER(S) (H)

If an AC source (generator or electrical grid) valid in frequency and voltage is present at the AC input, the device automatically goes into transfer and will start to charge the batteries. The consumers at the output are therefore supplied directly by the power source present at the input.

Your installation is now in operation.

7 DESCRIPTION OF THE MAIN FUNCTIONS

7.1 INVERTER

The Xtender is equipped with a high-performance inverter, which supplies a perfect and very precise sine wave. Any unit designed for the 230 V/50 Hz electrical grid (or 120V/60Hz for model XTx-xxxx-01) may connect to it without any problem, up to the rated power out of your Xtender. The inverter is protected against overloads and short-circuits.

Thanks to the largely over-dimensioned performance level, loads of up to three times greater than the Xtender's rated output can be faultlessly supplied for short (3 sec) periods of use, thus allowing motors to be started up without any problem.

When the Xtender is operating the LED "ON" (43) is glowing.

When the Xtender is in inverter mode, the LED "AC-Out" (46) is glowing. If it flashes, the inverter is in "load search" mode (see following sect. "Automatic load detection").

7.1.1 Automatic load detection (load search)

In order to save battery energy, the Xtender inverter stops and automatically goes into load search mode when the detected load is lower than the sensitivity set by the parameter {1187}. It automatically goes back into operation when a power consumer greater than this value demands it. The indicator (46) flashes if the inverter is in "load search" mode, which also indicates that the AC voltage is present at the output in an intermittent form.

The detection threshold for the absence of loads can be adjusted according to the parameter range {1187} by means of the RCC-02/-03 remote control. When the parameter is set to zero the inverter will still operate even in the absence of any consumer.

In load search mode (standby), the system will thus consume minimal power from the battery (see table of technical data p. 55).

7.2 TRANSFER RELAY

The Xtender can be connected to an alternative power source such as a generator or public network. When the voltage at the entry satisfies the voltage {1199 + 1432} and frequency {1505 - 1506} parameters, the transfer relay will be activated after a delay {1528}. This delay may be adjusted (extended) to allow a fully stable status of the generator before transfer.

When the transfer relay is activated, the voltage present at the input of the Xtender is available at the output for the consumers connected. At the same time the battery charger goes into operation.



When the transfer relay of the Xtender is active, the voltage at the output of the Xtender is equivalent to that which is present at the input and cannot be influenced or improved by the Xtender. The consumers are supplied by the source present at the "AC-IN" input via the transfer relay.

The maximum current of the transfer relay is 50 A for XTH and XTM model. It is of 16A in XTS model. The sharing of energy between consumers and the battery charger is adjusted automatically (see sect. 7.2.2– p. 27). The transfer relay will be deactivated when the input voltage no longer satisfies the parameter {1199} or {1432} min. and max. voltage and frequency at the input or when the current limit {1107} is exceeded, if the exceeding of this limit is prohibited {1436}. It then passes immediately into inverter mode. In this case the loads are supplied exclusively by the battery via the inverter (see sect. 7.2.2.4 – p. 28). This switching always takes place automatically.

The presence of increased dynamic loads (such as pneumatic angle grinders, etc.) may lead to an undesirable opening of the transfer relay due to the weakness of the source. To this case, a delay in the opening of the transfer relay can be adjusted with the parameter {1198}.

When the generator stops, the change from transfer mode to inverter mode normally takes place without any interruption of the output voltage. The interruption will be 20ms in case of input voltage sudden disappearing when the type of detection of input loss (UPS) {1552} is selected to "tolerant".

7.2.1 Type of detection of AC input loss (UPS)

When the Xtender is connected to the public grid or to a generator supplying stable and clean AC voltage, the type of detection of input loss {1552} can be selected to "fast". In this mode, perturbation or lack of voltage of less than one millisecond can be detected, switching the unit in inverter mode immediately. This mode guarantees a zero or maximum of 15ms transfer time.

This mode should not be used in presence of highly disturbed utility grid or with a low power generator or a generator supplying a poor quality voltage. In that case, the parameter {1552} will be set on "tolerant". In the XTS model, this can be selected by positioning the UPS slide switch (20) in "off" position. The tolerance of this mode is adjustable with the parameter {1510} if required.

The "tolerant" UPS mode insure an interruption time of max. 20 milliseconds.

In rare cases, due to the low quality of the source, and if the transfer relay switches too frequently, it is possible to further reduce the sensitivity of detection AC input loss by changing the parameter {1552} to "slow" via remote control RCC-02/03. In this case, the interruption of power will be 40ms max.



If the Xtender is connected to a generator, this must have a power at least equal to half of the power of the Xtender(s) to which it is connected.

7.2.2 Limiting the AC input current "Input limit"

7.2.2.1 Principle

In order to best use the resources available at the input (depending on the generator size or the grid output) and to protect the source from overload, it is possible to adjust the limit of the input current with the parameter {1107}.

The Xtender will automatically distribute the available power to the charger and the user and supply the balance of power if the load demand exceeds the fixed limit thanks to the current assistance function "Smart-Boost".



Due to the current assistance feature, the battery can be fully discharged despite the presence of the grid or the generator! The average power consumed by the user must not exceed the power of the source, at the risk of discharging the battery.

This system proves to be a decisive advantage particularly in all mobile systems (boats, leisure vehicles and service vehicles) that are frequently connected to sources with a limited value such as a portable or camping power supply. Despite a limited source, all the greater power applications downstream of the Xtender remain functional.

Despite a limited source, all loads connected downstream the Xtender remain functional!

The system will reduce automatically the charging current– from its target value {1138} to 0 – according to the current used at the output and the maximum current available at the input set by the parameter {1107}. The greater the current at the output, the more the part of the current at the input assigned to charging the battery is reduced. If the current exceeds the limit {1107}, the Xtender will supply the balance current from the battery.

The wiring of the system (cable gauge) must take into account this particular function which allow to have the sum of the current supplied by the inverter plus the current supplied by the source, i.e. If the system have a 5kW source (22A) and a 5 kW Xtender, the available power at the output is 10kW! In this example, the wire gauge must be chosen for 45A.

7.2.2.2 Exceeding input limit current

If, despite the decrease in current from the charger and using the source current assistance the limit is exceeded, the transfer relay will remain activated and the source may then be overloaded, causing the opening of the protective device upstream (H).

Exceeding the limit may be prohibited by the parameter {1436}. In this case, if the current exceeds the limit {1107}, the transfer relay will open and the user then powered exclusively by the inverter, as long as the output current exceeds the current limit input. If the input current limit is exceeded due to a short circuit downstream, the transfer relay will remain activated and the protective device upstream of the Xtender (H) will trip.

7.2.2.3 Second value of input current limit

A second value of the input limit, to be activated by the remote entry (see sect. 7.7 - p. 31), is programmable by the parameters {1566} (use a different value for the maximum current of the AC source) and {1567} (second maximum current of the AC source).



In the case of mobile applications, the installation of an RCC-02/-03 remote control is recommended in order to be able to adapt the value of the input current limit if necessary, for each connection to a limited grid.

7.2.2.4 Deactivation of the source assistance function (Smart-Boost)

This feature the source current assistance "Smart-Boost" can be disabled by setting {1126}. The remote RCC-02/03 is necessary to disable the function on the model XTH and XTM. On the XTS model, it is possible to disable it by selecting the slide button (19) in OFF position.

7.2.2.5 Automatic reduction of the current limit input

When the device is connected to a low power generator, most often, the voltage of the generator falls down before its rated power. To compensate partially this side effect, the Xtender has a system of automatic reduction of the input current limit, if the voltage drops beyond a threshold set by the parameter {1309}+ {1433}, to fall to zero when it reaches the value set by parameter {1309}. This avoids overloading the generator and too frequent transition of the transfer relay.

This feature is also used when a variable power source is connected to the input of the Xtender. This is particularly the case of 230 Vac alternators type "Dynawatt" coupled to drive motors whose speed varies. These devices have their source voltage decrease depending on the available power. A correct setting of thresholds {1309} and {1433} ensures continuous power output with the "Smart-Boost"

This feature can be disabled by setting the {1527} especially when the Xtender is connected to a public network.

7.2.2.6 Setting the current "Input limit"

The maximum input current can be adjusted by the knob (18) on the XTS or via remote control RCC-02/03 on other models or on the XTS with the module TCM-01. The parameter {1107} is part of the basic parameters of the device and must be adjusted at commissioning (see sect. 5 - p. 24) depending on the capacity of the source as follows:

- If the device is connected to a network: the value is sized according to the upstream protective device (fuse or circuit breaker) or a lower value if desired.
- If the device connected to a generator, the following empirical formula can be used:

Generator power below 1 kW: $0.7 \times P_{nom} / U_{ac}$

Generator power below 3 kW: $0.8 \times P_{nom} / U_{ac}$

Generator power above 3 kW: $0.9 \times P_{nom} / U_{ac}$

Given the wide divergence of performance and quality of available generators on the market, these formulas are approximate and are not a guarantee of proper adjustment of the installation.

7.3 BATTERY CHARGER

7.3.1 Working principle

The battery charger for the Xtender is completely automatic and is designed to guarantee an optimum charge for the majority of lead-acid or gel batteries. Once the transfer relay is activated, the battery charger goes into operation and the charge indicator (44) lights up.

The charging process has three levels (I/U/Uo) as described in figure below.

This process guarantees optimum charging of the batteries. The charging current is given by the parameter {1138} and can be adjusted continuously from zero to the nominal value with the help of the RCC-02/-03 or with the rotating knob (16) inside the model XTS (see sect. 5.1 – p. 24). All times and thresholds can be adjusted with the remote control unit RCC-02/03.



If the battery voltage is lower than the critical disconnection threshold {1488}, operation of the charger will be automatically prevented. Only the transfer relay is authorised to operate in this case. The battery must then be recharged by an external source up to a voltage higher than the critical disconnection threshold in order to allow the Xtender charger to operate.

The charge cycle, programmed by default, as shown in the example described in the figure opposite, runs automatically.

The line (28) indicates the development of the battery voltage.

The lower line (29) indicates the battery current (input and output).

The cycle starts with a continuous current charge **(a)** adjusted by default according to the parameter {1138}. If the ambient temperature is increased or the ventilation blocked, the current may be reduced and become lower than the selected current. Once the absorption voltage {1156} is reached, the cycle passes to voltage adjustment mode **(d)**, known as the absorption phase, the duration of which is set by the parameter {1157}. The minimum interval between two absorption cycles is limited by the parameter {1161}.

At the expiry of the absorption time, or if the absorption current is lower than the parameter {1159}, the voltage is set to a lower value {1140}. This phase **(e)** is known as the maintenance or "floating" phase. Due to the limiting function for the input current (see p. 27), it is perfectly normal for the charge current to be lower than the selected current if the limit of the AC input current {1107} is reached (b). In this event the AC-IN indicator (45) flashes. The charge current will be limited too if the battery voltage ripple is higher than 0,5V/cell.

If the "Smart-Boost" function is activated {1126} and the power required by the consumer exceeds the power of the source, the battery will be discharged (c) despite the presence of the grid or the generator. In this case, the LED "charge" (4) goes out. The consumers must ensure that they have average consumption that is less than the power of the source (generator or public grid) in order to avoid a complete discharge of the battery. These situations are set out in the figure below.

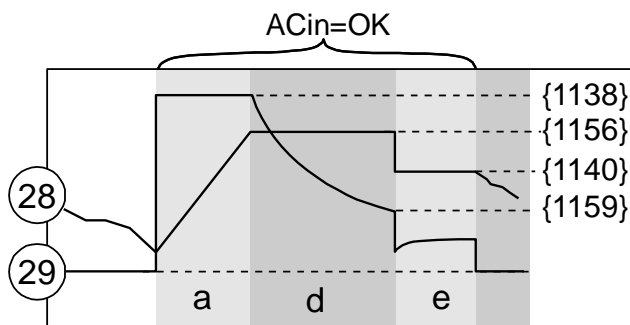
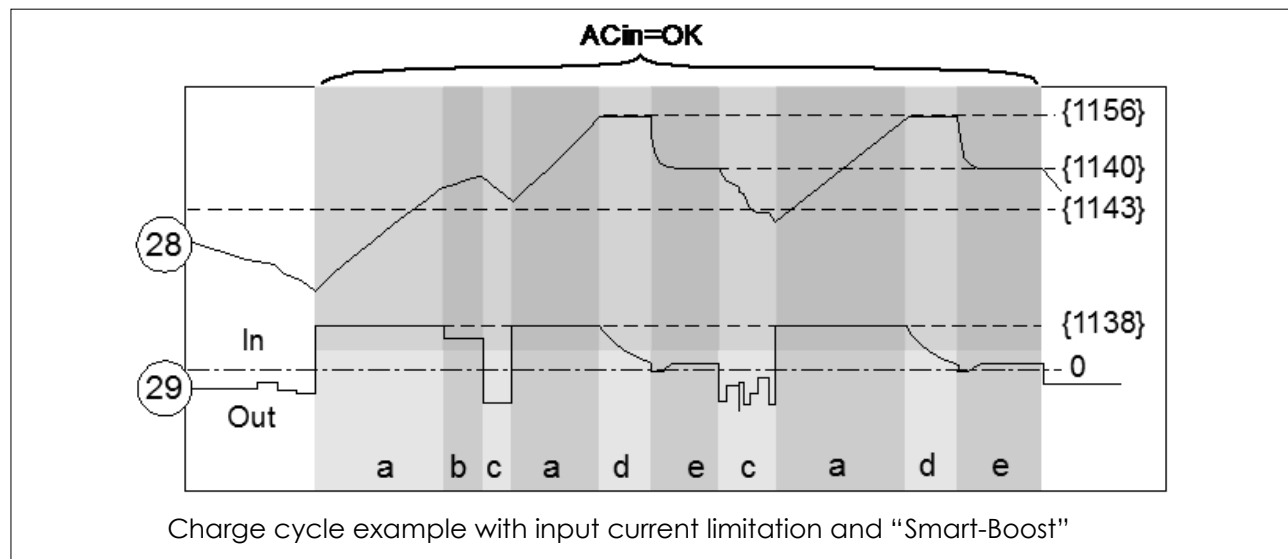


Fig. 3b: Simplified charge cycle, without input current limitation



Charge cycle example with input current limitation and "Smart-Boost"

If the BTS-01 temperature sensor is used, the voltage adjustment thresholds for the battery are corrected in real time by means of the battery temperature. The value of this correction is set by the parameter {1139} in the parameter table p. 47.



Much more complex charge profiles or exclusion of the charger can be configured using the RCC-03/03 remote control.



Parameters of the battery charger are under the responsibility of the operator. Incorrect parameter that does not correspond to the charging methods of the battery recommended by the manufacturer may be dangerous and/or considerably diminish the battery service life. If the factory settings are modified, it is imperative that the new values be entered in the parameter table p. 47.

7.3.2 Battery charger current setting

The maximum charging current can be adjusted by the knob (16) on the XTS or via remote control RCC-02/03 on the other models or on the XTS with the module TCM-01. The parameter {1138} is part of the basic parameters of the device and must be adjusted at commissioning (see chap. 5 - p. 24) depending on battery capacity. It will be chosen in principle a value between 0.1 and 0.2 x the nominal battery capacity C10. (i.e. 10A for a battery of 100 Ah/C10)

7.3.3 Battery protection

The battery is protected against deep discharge by stopping the inverter if the low voltage disconnection level {1108} is reached. The indicator (52) flashes once when the battery has reached the disconnection threshold and the inverter will stop shortly after {1190}. This threshold can be dynamically corrected {1191} with an advanced algorithm that computes automatically the battery voltage compensation in function of the instantaneous power. This correction may also be manually fixed {1532} by setting the low voltage disconnection at full load {1109}. These dynamic corrections can be deactivated by setting the parameter {1191}. The inverter will stop immediately if a critically voltage of 1.5V/cell is reached. The inverter will restart automatically when the battery voltage has reached the restarting threshold {1110}.

This restarting threshold {1110} can be automatically readjusted if the parameter {1194} is activated, in order to better protect the battery against repeated cycling in an "almost empty" state of charge. The restarting threshold is then incremented {1298} up to a maximum value {1195} whenever the LVD (low voltage disconnection) is reached. The restarting threshold will be reset to its initial value when the value of parameter {1307} is reached.

If the inverter is repeatedly {1304} encountering a low voltage disconnection in a short period {1404} it will stop permanently and will only start again via an operator's manual restart.

7.4 XTENDER PROTECTION

The Xtender is protected electronically against overloads, short-circuit, overheating and reverse current (cabling of a voltage source on AC-Out).

7.4.1 Protection in case of overload

In the event of overload or short-circuit at the output, the inverter stops for some seconds {1533} {1400}, and restarts. If the inverter is repeatedly encountering this situation {1300} in a short period, it will stop permanently and will only start again via an operator's manual control.

7.4.2 Protection against overvoltage

If the battery voltage exceeds the value set by the parameter {1121} the inverter stops and starts up again when the voltage is less than {1110}. If the Xtender is repeatedly encountering this situation 3 times during one minute, it will stop permanently and will only start up again via an operator's manual control.



A battery voltage greater than 1.66x the nominal voltage may lead to significant damage or destroy the device.

7.4.3 Protection against overheating

Insufficient ventilation, increased ambient temperature or obstructed ventilation may lead to overheating of certain internal components of the unit. In this case, the device will automatically limit its power output as long as this abnormal situation persists.

7.4.4 Protection against battery reverse polarity

XTM series Xtenders are protected against reversed polarity by an internal fuse (see chapter 4.5.1 – p. 20). However, reversed polarity can still cause serious damage to the device and it is best to avoid such a situation. The XTH series does not contain an internal fuse and therefore requires an external protection. Damages due to reversed polarity are not covered by the warranty.



The XTS is equipped with a full electronic protection device protecting it from accidental reversal of polarity of the battery. This does not eliminate the need to install a fuse close to the battery. In case of reverse polarity, the fuse will not be destroyed and the unit will operate normally after restoring the correct battery polarity.

7.5 AUXILIARY CONTACTS

The XTH, XTM and XTS, the latter when equipped with the ARM-02 module, have two dry reversing contacts that are potential-free. The status of the contacts in deactivated mode is indicated by the annotations, N.C. = normally closed and N.O. = normally open. When the contact is activated an indicator light (9) is illuminated. (*Maximum contact loads: 230 Vac / 24 Vdc: 16 A or: max. 50Vdc/3A*) The behaviour of these contacts can be programmed using the various parameters described in the remote control RCC-02/-03 user manual and it can be modified by the user/installer.

The behaviour of these contacts can be programmed using the various parameters described in the remote control RCC-02/-03 user manual and it can be modified by the user/installer.

These dry contacts are programmed by default for the following functions:

Contact no. 1 (AUX 1): The contact has a function of automatic start of generator (two wires). The contact will be activated when the battery voltage is below a value, during a given time fixed by parameters {1247/48}/{1250/51}/{1253/54}. The contact will be deactivated when the charge cycle has reached floating {1516}, or when the "Aux. 1 deactivation voltage" {1255} is reached during a predetermined time {1256}.



The voltage of the battery is automatically compensated according to the instantaneous battery current the same way as it is done for compensation of LVD (see sect. 7.3.3– p.30) if parameter {1191} is activated.

Contact no. 2 (AUX 2): alarm contact by default. It is deactivated when the inverter is out of service or is working at reduced performance, because of manual control or if there is an operational fault such as overload, under-voltage of the battery, over-temperature, etc.

If the operator or installer requires different behaviour for the auxiliary contacts, they are both freely and individually programmable depending on the battery voltage, the output power, the inverter status, the internal clock and the Battery state of charge (if BSP module is present) . These settings can be done with the RCC-02/-03 (remote control unit).

The intelligent programming of the auxiliary contacts allows many applications to be considered such as:

- Automatic start-up of the generator (two or three wires)
- Automatic load shedding of lower priority loads of the inverter (2 sequences)
- Global or individual alarm
- Automatic disconnection (load shedding) of the source



For more information on the programming of auxiliary contacts 1 and 2, refer to our application notes available on the Steca web site: www.steca.com
AN003: Anti-blackout system for grid connected application (Solsafe)
AN005: Automatic management of 2 different energy sources
AN007: Automatic start of a generator

7.6 REAL TIME CLOCK

The Xtender (see sect. 9.4 – p. 37) has a real time clock that allows programming the function of the auxiliary contacts according to a time schedule. This clock must be adjusted via the use of the RCC-02/-03 remote control.

7.7 REMOTE ENTRY (REMOTE CONTROL ON/OFF)

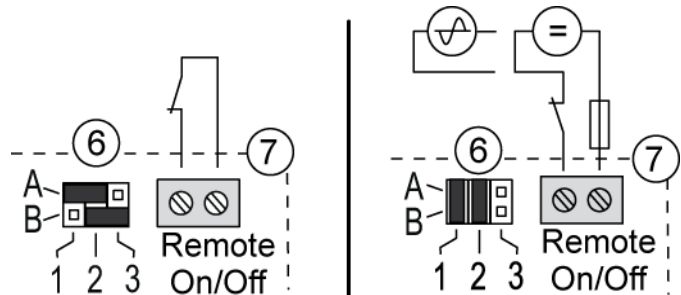
The Xtender has one remote entry that can be assigned to a function and programmed with the remote control RCC-02/-03 (see chapter 14.13.1 in the RCC-02/-03 user manual). By default, no function is defined for the remote entry.

7.7.1 XTH model

The cabling of the remote entry is done at the terminals (7). The jumpers (6) should be positioned correctly in function of the desired configuration according to the figures to the right.

Control by dry contact: the jumpers remain in their original position, A1-2 and B2-3.

Control by a voltage (max 60V eff. / 30mA): the jumpers are set to A1-B1 and A2-B2.

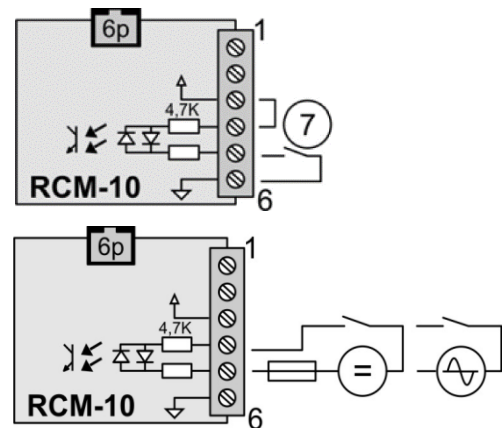


7.7.2 XTM and XTS models

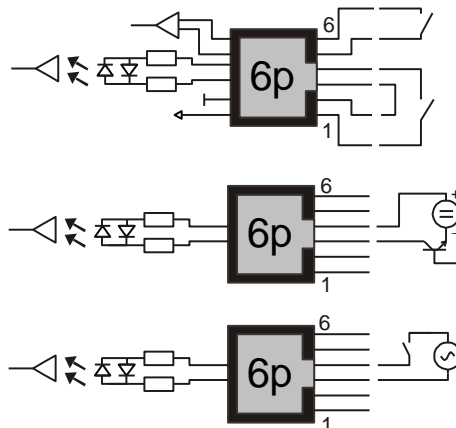
For the XTM and XTS model Xtenders, the remote entry is available on the external (XTM) or internal (XTS) J-11/6p (15) connector to which the external module RCM-10 is attached (optional accessory), see chap. 9.3, p. 39.

Control by dry contact: make a bridge between terminal 3 and 4 and wire the dry contact between 5 and 6.

Control by a voltage: supply an AC or DC voltage of 6 to 60V effective between terminals 4 and 5.



Note: on the XTM and XTS model Xtenders, it is also possible to achieve this control function and on/off command (see chap. 9.3.1) without the RCM module. This is done by wiring directly at the RJ11 6p connector, as shown to the right.



Main ON/OFF (only with dry contact)

Remote entry with dry contact

Remote entry with external DC source. Max. 60V eff.

Remote entry with external AC source. Max. 60V eff.



In a multi-unit system, the function assigned to the remote entry has to be the same for all inverters in the system. Only one of the inverters needs to be cabled to assign the selected function for all inverters in a system.



If this function is used in the mode **active when contact is open** (such as the emergency stop, for example), the unused remote entries (in the other units) should be bridged (equivalent to closed contact). The dedicated functionality will then be activated when the drive contact opens which is connected to one of the units.

7.7.3 Remote entry controlled by an auxiliary relay

It is possible to wire together the auxiliary contacts Aux 1 and Aux 2 so that the function programmed on the remote entry is activated by the state of the auxiliary relay.

For example, if we wish to prohibit the transfer relay while the battery is above a certain state of charge, we can program the activation/deactivation of the auxiliary relay by the state of charge (see chap. 14.11.9 of the RCC-02/-03 manual) and we wire the Normally Open (N.O.) contacts of the auxiliary relay that is programmed to the remote entry. The remote entry should be programmed to prohibit the transfer relay while the parameter "remote entry active closed {1545}" is true. (See chap. 14.13.1.1).

It is also possible to link the auxiliary relay Aux 1 to the remote entry without physically wiring them together. This is done by activating parameter {1578} as explained in chap. 14 in the RCC-03/-03 manual.

This option is particularly useful in the XTM model Xtenders that do not have the remote entry without the external module RCM-01 (see chap 9.3) and the XTS model Xtenders that do not have the remote entry nor the auxiliary relays without the external module ARM-02 (see chap. 9.5).



In a multi-Xtender installation, the status of the remote entry of each Xtender is transmitted to all the other Xtenders. If a function is programmed on the remote entry of one of the Xtenders, it will be applied to all the Xtenders.

8 MULTI-UNIT CONFIGURATION

Several Xtenders can be used in the same system, either to create a three-phase system or to increase the power output of a single or two phases. The implementation of this configuration requires particular precautions and it must be installed and commissioned by qualified personal only.



When a multi-unit system is commissioned, the software version of every unit will be automatically checked and units may refuse to start in case of incompatibility. If so, an upgrade of every unit is required with the RCC-02/-03 to the most recent software version available by the manufacturer. (Read the RCC-02 user's manual to perform this operation).



In Multi-unit systems, every Xtender in the system shares the same battery bank. Separate battery banks are not allowed.

In these multi-unit systems, the units must be connected via a communication bus by a cable (**art. no. CAB-RJ45-8-2**) of a maximum length of 5 metres.

Various application examples are described from fig. 12 to fig. 19 of Appendix 1.



It is important to read and adhere to the descriptions associated with each of the figures mentioned above.



In multi-unit system, it is recommended to use the automatic LVD dynamic compensation. See parameter {1532}.

In configuration with several Xtenders, each unit is controlled independently using the ON/OFF push button (41). When the on/off control is given via the RCC-02/-03 remote control, it is applied simultaneously to all units.

8.1 THREE-PHASE SYSTEM

Three Xtenders of the same voltage (power or type can be different) can be used and combined in order to establish a three-phase grid. An example of cabling in three-phase is given at figs. 13.-14 of the appendix.

When three Xtenders are wired to form a three-phase grid, the wired phases at the input determine the jumper position for selecting the phase (10). It is vital to determine and select the phase for each Xtender. If the grid is not available at the input of the master unit (phase 1), all the units of the system will switch to inverter mode. If only a single-phase source is available, it must be connected to phase 1. The other two phases will therefore be supplied by the other two working units in inverter mode.

8.2 INCREASING THE POWER BY PARALLELING UNITS

Up to three Xtenders of same type, power and voltage, can be wired in parallel in order to increase the system's rated power output. In this configuration, all the AC-In inputs of the Xtender must be wired. The most recent unit (according to the serial number) in the phase will act as the master and will decide on the operation or suspension of the units in parallel according to the load. The yield of the installation is therefore still optimal.

It is possible to deactivate the master/slave mode with the parameter {1547}. In that case, the load search mode is disabled.

An example of parallel connection is given in fig.12 Appendix 1 and the comments on p.42.



If the current of the source (per phase) is greater than 50A (XTH and XTM) or 16A (XTS), a protection device must be installed on each of the 2 or 3 devices connected to the same phase with 50A max (XTH and XTM) or 16A (XTS). If the power source is limited to 50A (XTH and XTM) or 16A (XTS), only one protection device is enough.

8.3 COMBINED SYSTEM

It is possible to combine a three-phase system with 1 or 2 phases made up of 2 or 3 Xtenders in parallel. An example of cabling is given in fig. 15.

A combination of more than one inverter in only one (or two) phases is also possible. for example, it's possible to build up one powerful phase for the most single phase consumer and the 2 other phases with only one Xtender each for the 3 phase (motor) application as in the example fig. 15 Appendix I.

It is therefore possible to combine up to nine Xtenders by running three Xtenders in parallel in a three-phase grid. Examples of cabling are given in figs. 16 to 18 Appendix 1 and the comments on p. 42.

8.4 ENLARGEMENT OF AN EXISTING INSTALLATION

Only subject to compatibility, it is most of the time possible to enlarge an existing installation by adding one or several inverters in parallel or in a three-phase configuration. The compatibility of the new units must be checked by providing Steca the serial numbers of the inverters in the existing installation.



The inverters connected to the same system must be equipped with the same software version. Take care to download the latest software version from manufacturer's website and update all units of the system before the commissioning.

9 ACCESSORIES

9.1 REMOTE CONTROL RCC-02/-03

An RCC-02/-03 remote control, display and programming unit can be connected to the Xtender via one of the two RJ45-8-type "Com. Bus" (3) connectors.



Steca CAN compatible accessories and devices (mentioned in chapters 9 and 10) can be connected to the RJ45-8 connectors, excluding any other connections such as LAN, Ethernet, ISDN or other.
Connecting a non-compatible device may cause serious damage not covered by the manufacturer's warranty.

These connectors may only be used for connecting a CAN-ST compatible accessory, excluding any other connection such as LAN, Ethernet, ISDN, etc.

The RCC-02/-03 control centre is vital for modifying the parameters of the system. Many parameters and features are not described in this manual. The manual for the RCC-02/-03 (downloadable on www-steca.com) describes in detail each of these parameters and the context in which they can be used.

It also allows the following functions:

- Display of function synopsis
- Display of the measured operational values (current / voltage / power output, etc.)
- Updating of software or implementation of customised software
- Upload/download of inverter parameter
- Updating of inverter parameters
- Events logging of error message
- Data acquisition of Xtender and other participants connected to the communication bus like the BSP (Battery status processor) or / and compatible solar charge controller

RCC-02



RCC-03



The features of the RCC-02 and the RCC-03 are the same. They only differ in their external appearance. The RCC-02 is designed for wall mounting, whereas the RCC-03 is designed as a board device.

The RCC-03 model must be removed from the board to allow access to the SD card slot (during updating, for example).

Model N°: RCC-02: Dimensions: H x W x D / / 170 x 168 x 43.5mm

RCC-03: Dimensions: H x W x D / / 130 x 120 x 42.2mm



The two remote control models are delivered with a 2 m cable.
Cables of specific lengths (5 m, 20 m and 50 m) can be ordered.
The article no. is as follows: CAB-RJ45-xx. The length in metres is specified as xx.

Up to three RCC-02/-03 remote controls can be connected in series on the communication bus of one Xtender or an Xtender multi-inverter system. In a system comprising a single Xtender, the connection of the RCC-02 or RCC-03 may be done without stopping the Xtender (warm). When connecting an RCC-02/-03 remote control to a multi-unit system, it is required that all units in the system are stopped (disconnected from the batteries or by the main ON/OFF switch (1) if present) and that the communication bus on the device to which the connection is being made is set to terminated.

	The termination switch (two switches for XTH) for the communication bus, "Com. Bus" (4) remains in position T (terminated) except when <u>both</u> connectors (3) are in use. In this case, and only in this case, the switch (two switches for XTH) must be placed in the O (open) position.
--	---

9.2 BATTERY TEMPERATURE SENSOR BTS-01

The optimal operating voltages for lead batteries vary depending on the temperature. A temperature sensor is optionally available to correct the battery voltage and guarantee an optimum charge whatever the battery temperature. The correction factor for the sensor is set by the parameter {1139} Article no. for the temperature sensor (including a 5 m cable): BTS-01.
Dimensions: H x W x D / / 58 x 51.5 x 22 mm.



9.2.1 Connecting the temperature sensor (BTS-01)

The temperature sensor, BTS-01 is supplied with a 3 m cable fitted with RJ11/6-type plugs. It may be connected or disconnected at any time (including when the device is in use) using the corresponding socket (2) marked "Temp. Sens." on the Xtender. Plug the connectors into the socket (2) until they click in. The temperature sensor sleeve may simply be stuck onto the battery or directly next to it. The temperature sensor will be recognised automatically and the correction made immediately.

9.3 REMOTE CONTROL MODULE RCM-10 (XTM/XTS)

The optional remote control module for XTM and XTS gives the possibility to have the following functions:

Main ON/OFF (1) see sect. 11.1 with a potential free contact.

Remote entry (7) see sect. 7.7 – p. 31.

This module can be mounted on DIN rail.

Article n°: RCM-10. Supplied with a 5m cable (max. length 10m).

Dimensions: 45 x 78mmH

Height on rail: 40mm

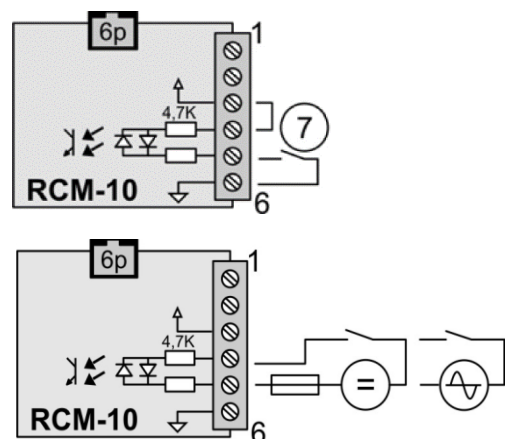


9.3.1 Connection of the RCM-10 module

The control module RCM-10 can be "hot plugged" on the connector "RCM-10" (15) without interrupting the operation of the unit.

The main ON/OFF function as described in Sect. 11.1 - p. 39 may be obtained by connecting a potential free contact (1) between terminals 1 and 2. When this contact is closed, the Xtender is stopped.

Terminals 3 to 6 of RCM-10 are used as input control as described in Sect. 9.3 - p.36. The function dedicated by programming can be activated by a dry contact (7) between 5 and 6 with a connection between 3 and 4, or by an AC or DC voltage of 60 V rms max. between terminal 4 and 5.

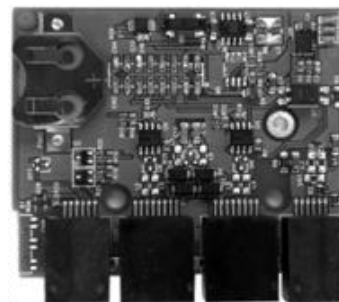


	The function "main ON/OFF" (1) can only be controlled by a potential free (dry) contact.
--	--

9.4 TIME AND COMMUNICATION MODULE TCM-01(XTS)

This module, mounted inside the XTS, allows the XTS to be connected with the remote control RCC-02/03, as well as to Xtender compatible devices and accessories. The module also features a real time clock and connectors to connect the ARM-02, RCM-10 and BTS-01 modules.

Note: In recent XTS versions the functionalities of this module have been integrated in the control electronics and it is therefore no longer present. (see "Connection compartment, XTS" in chapter 3.6.3.).



9.5 AUXILIARY RELAY MODULE ARM-02 (XTS)

This external module is connected to the plug (2) (described in chapter xx) by a 5m cable supplied with the accessory. It provides the XTS with auxiliary relays as described in sect. 7.5 - p. 31. This module can be mounted on DIN rail.

If the plug (2) is already used for the temperature sensor BTS-01, it should be moved to the free plug on ARM-02.



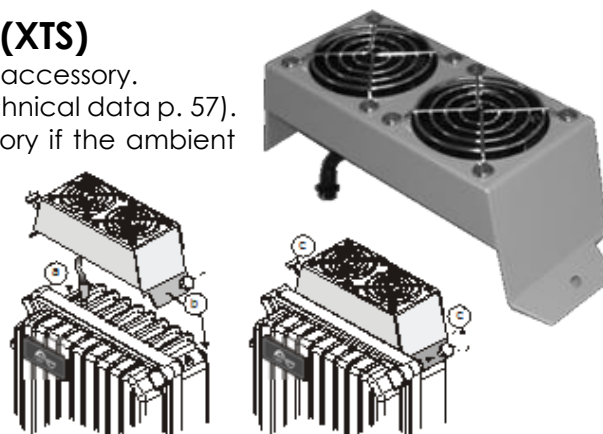
9.6 EXTERNAL COOLING FAN UNIT ECF-01 (XTS)

The external cooling fan unit ECF-01 is an optional accessory.

It improves the performance of the device (see technical data p. 57).

It is particularly recommended to use this accessory if the ambient temperature is high ($> 40^{\circ}\text{C}$).

This unit has an IP 54 protection rating and can be exposed to a spray of water without damage. However, it cannot be exposed to a spray of dirty water to prevent mud or similar particles from clogging the mechanism. The assembly instructions are supplied with the accessory.



10 OTHER XTENDER SYSTEM COMPATIBLE DEVICES

The devices listed below are compatible with and can be part of an Xtender system interconnected by the communication bus. Their complete description is available on our website www.steca.com

10.1 BATTERY STATUS PROCESSOR BSP-500/-1200

This module is delivered with a 500 or 1200 A shunt. It allows measurement of current, voltage and battery temperature. It computes the information and provides to the Xtender system all the information derived from these measurements, like the state of charge, time before discharge, history of the state of charge over 5 days, etc.



10.2 COMMUNICATION MODULE XCOM-232I

This RS232 isolated module allows access to most of the values and settings of devices connected to the Xtender communication bus. It also features an SD card for the acquisition of measured data, the unit settings and historic events.



10.3 COMMUNICATION SETS XCOM-LAN/-GSM

These two sets provide the possibility to control the Xtender, VarioTrack and VarioString systems via the Xcom web portal anywhere there is internet access, via the local network or via the GSM network. The access to internet can be done with a smartphone, tablette or notebook computer.



10.4 COMMUNICATION MODULE XCOM-SMS

The communication module Xcom-SMS makes it possible to access systems with Steca devices through SMS (Short Message Service) sent from a mobile phone, a web site, etc. It provides the user with a tool that gives easy access to the system in order to know its current state and to control it remotely reducing the necessity to physically go to the site.

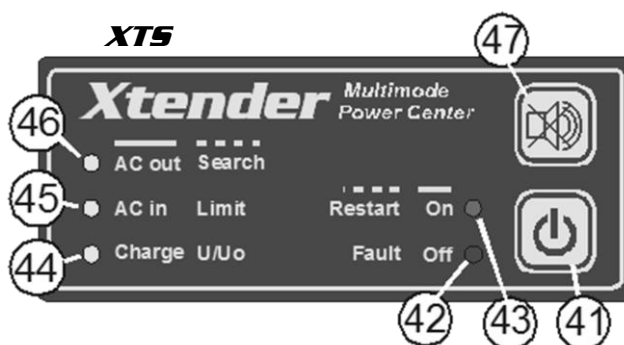


11 CONTROL

11.1 MAIN ON/OFF CONTROL

This switch (1) interrupts the electronic supply and all the Xtender peripherals. The residual consumption on the battery is therefore less than 1 mA.

The ON/OFF switch is used only for the complete stoppage of the whole system. This switch is not available in the XTM. The function can be added with the use of the remote command module RCM-10.

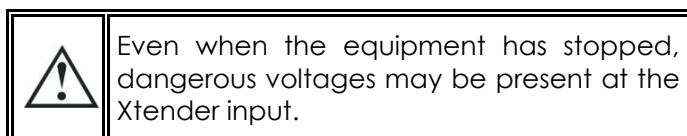
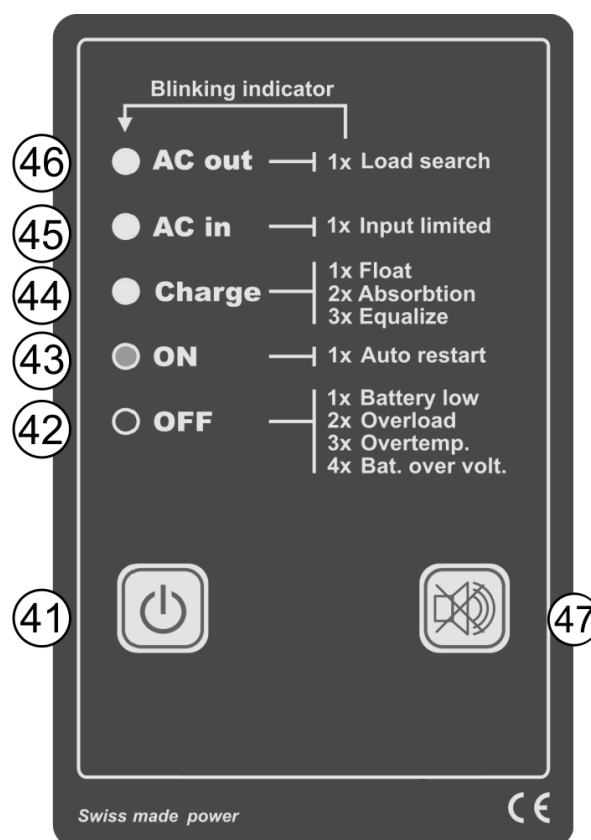


11.2 DISPLAY AND CONTROL PANEL

The Xtender has an ON/OFF button and light indicators at the front of the unit, allowing clear identification of the operating mode.

(41) The ON/OFF button allows the start-up or complete stop of the system. In the systems comprising several units, each unit is started or stopped individually. For a simultaneous start-up of all the units use the dry contact control (see sect. 7.7 – p. 32) or the ON/OFF button of the RCC-02/-03 remote control.

XTH et XTM




(42) This indicator lights up when the equipment has been stopped manually using the ON/OFF button (41) or due to a fault.

The table below describes the type of fault according to the number of flashes on the indicator (42).

	Indicated alarm	Comment
1x	(Imminent) stoppage due to a too low battery voltage.	If the inverter has not yet stopped, it is recommended to disconnect all non-priority loads and/or start up the generator. If the inverter has stopped, it will restart automatically when the battery voltage has reached the correct value again {1110}. It can be restarted manually using the ON/OFF button (41) as long as the battery voltage is higher than 1,5V/cell. The charger remains functional as long as the battery voltage remains higher than 1,5V/cell. See also sect. 7.4 – p. 30.
2x	Stoppage due to overload in the equipment, due to either a short-circuit or too high load for the inverter.	In this event, the equipment will attempt to restart 3 times within a few seconds and will stop if the overload remains (see sect. 7.4.1 – p. 30). It is vital to eliminate the cause of the overload before restarting. Restarting is carried out manually by pressing the button (41).
3x	Decrease in the rated output of the device due to a too high internal temperature.	This may be due to overload of the device, too high ambient temperature or obstructed ventilation. The power output of the device will therefore be limited to around 50% of the P _{nom} , including in charger mode or Smart-Boost mode.
4x	Battery voltage higher than the maximum limit set by the parameter {1121}.	Check the cause of this excess voltage. The equipment will restart automatically when the voltage falls below the threshold value {1122}. See sect. 7.4.2 – p. 30.
5x	No transfer. Insufficient power from the source	In this case, the Xtender remains in operation in inverter mode until the output power decrease below the input limit and does not allow the transfer relay to close. You must increase the input current limit {1107}, authorise exceeding this limit {1436}, authorise backup on the source {1126}, or disconnect some consumers (decrease of loads).
6x	Start-up prevented due to unwanted voltage at the device output.	Voltage is present at the device output. Check your cabling: correct the fault and start the installation again using a manual control on the button (41).
7x	Indicates missing voltage in one of the units of the system in a multi-unit configuration.	Check the input protection devices (H) for all the system units.
8x	Software incompatibility in a multi-units system	Error in a multi-Xtender system. The LED 43 gives further information: 3x: Communication protocol error or 4x: Software incompatibility The software version of all units in the system must be the same. Proceed according to the RCC-02/-03 user manual to upgrade the software. 5x: communication loss or functional error: check the terminations on the communication bus and make a reset of the system {1468}
9x	Loss of synchronization between the units	Failure of the link between the units. Check the presence and the state of the communication cables between units.

(43) This indicator is glowing continuously when the device is working.

It flashes when the equipment is temporarily stopped due to a fault displayed by the indicator (42) or a ON/OFF control wired at the remote entry ("Remote ON/OFF") (7), or when the equipment is put to idle mode by the master unit in a multi-inverter parallel system (see sect. 8.2 - p. 34).

	The equipment will restart automatically when the conditions that led to the temporary stoppage have gone away.
---	---

In the systems with multi-units in parallel, the indicator (43) blinks 2 times when the Xtender is temporarily stopped by the master unit of the concerned phase while this mode is authorized. {1547}.

(44) This indicator is lit continuously when the charger is working and has not yet reached its absorption phase.

It flashes twice during the absorption phase and once during the floating phase. It will flash 3 times whenever equalisation is activated.

If the Smart-Boost mode has been activated, this indicator stops blinking temporarily when source backup is required by users (loads).

(45) This indicator is lit continuously when an alternative voltage with correct values, either in frequency {1112-1505-1506} or in voltage {1199}, is present at the AC input of the device and the current limit set by the user has not been reached.

It flashes one time when the current limit at the input {1107} set by the user has been reached. In this case the charger current is reduced in order to guarantee priority supply to the users (see sect. 7.2.2.2 - p. 27).

If the Smart-Boost mode (see sect. 7.2.2.4 – p. 28) is used and the inverter is part of the user supply – therefore the battery is discharged – the "charge" indicator (44) will be glowing.

If the input current is exceeded nevertheless, and this exceed not permitted by parameter{1436}, the Xtender goes back to inverter mode (transfer relay open) and the indicator (42) will keep flashing as long as the user current exceeds the limit value of the input current {1107}.

If grid feeding is allowed {1127} this indicator blinks 2 times while feeding.

(46) This indicator is lit continuously when an alternative voltage of 230V is present at the equipment output. It flashes when the device is in "load search" mode according to sect. 7.1.1 – p. 26.

(47) Receipt button to stop the acoustic warning (XTM only). The duration of the acoustic alarm {1565} by factory default is 0 sec (deactivated).

12 MAINTENANCE OF THE INSTALLATION

With the exception of periodic checks of connections (tightening and general condition), the Xtender does not require any special maintenance.

13 PRODUCT RECYCLING

The models of the Xtender series conform to the European directive 2011/65/EU on hazardous substances and do not contain the following elements: lead, cadmium, mercury, hexavalent chrome, PBB or PBDE.



To dispose of this product, please use the service for the collection of electrical waste and observe all applicable obligations according to the place of purchase.



14 EC DECLARATION OF CONFORMITY

The inverter and accessories described in this manual comply with the following directive and standards:

Directive 2004/108/EC:

Reference standards: EN 61000-6-1, EN 61000-6-3, EN 55014, EN 55022, EN 61000-3-2, EN 62040-2

Low voltage directive 2006/95/EC:

Reference standards: EN 50178/IEC 62103, EN 62040-1, EN 62109-1, EN 60950-1

Directive RoHS: 2011/65/EU

CH -1950 Sion, September 2015

Studer Innotec SA - R. Studer

A handwritten signature in black ink, appearing to read 'R. Studer'.

15 COMMENTS TO DRAWINGS IN THE APPENDIX

Fig.	Description and comment
1a	Dimensioning table for the downstream protection device (F). This table helps to size the Xtender upstream and downstream protection devices. Due to the source assistance function, it should be outlined that the downstream protection can be of higher gauge than the upstream one.
1b	Type plate and series no. See sect. 19 - p. 46. It is vital that this label is intact for any possible warranty claims. It must not be altered or removed.
2a	Dimensions and fastening the device The support (wall) must be appropriate for supporting the increased weight of the device without any risk.
5a	12 V battery: connection in series and in parallel / series for 2 V cell
5b	12 V battery: connection of 12 V battery in parallel
5c	24 V battery: connection in series and in parallel / series for 2 V cell
5d	24 V battery: connection in series and in parallel / series for 12 V battery block
6a	48 V battery: connection in series and in parallel / series for 12 V battery block
6b	48 V battery: connection in series for 12 V battery block
6c	48V battery: Series connection of 2V cell
6d	48 V battery: connection in parallel / series for 2 V cell
7a	Xtender XTS circuit diagram This diagram shows the major electrical components, control elements and their interaction in XTS model, for proper understanding of the operating principle of the device.
7b	Xtender XTH/XTM circuit diagram This diagram shows the major electrical components and control elements and their interaction in XTH and XTM model, for proper understanding of the operating principle of the device.
8a	Single-phase installation (AC and DC part) This example illustrates the most routinely used installation; that of an emergency system or a hybrid system (remote sites) ensuring the supply in single-phase from a generator and/or the battery when the AC source is absent. See also sect. 4.1.1– p. 16.
8b	Remote entry variants (ON/OFF remote control) This example illustrates the various possibilities for connecting the remote entry (remote ON/OFF on former version) terminal block (7), enabling the control of the programmed function (See also sect. 7.7 - p. 31.) with a dry contact or a voltage source (max 60V eff./30mA). The maximum wire length on this control should not exceed 10 m.
8c	Installation with three-phase source and secured single-phase output – AC and DC part In this example, the three-phase users will only be supplied when the generator or grid are operating.
9a	Fixed installation with plug connection to the single-phase source – AC part Special feature: The connection of the neutral upstream and downstream of the Xtender (C) is prohibited in this configuration (presence of a plug upstream). See also sect. 4.2 – p. 17.
9b	Fixed single-phase installation with connection by plug to a three-phase source – AC part Highlight(s): The connection of the neutral upstream and downstream of the Xtender (C) is prohibited in this configuration (presence of a plug upstream). See also sect. 4.2 – p. 17.
10a	Example of installation in a vehicle (AC part) Highlight(s): The connection of the neutral (C) is not permitted (presence of a socket upstream). The earth-neutral connection is absent in inverter mode (neutral stand-alone system). Safety is guaranteed by the equipotential bonding (frame). The automatic re-establishment of the earth-neutral connection downstream of the device in inverter mode can be programmed. Consult the table of figures, item (V). See also sect. 4.2.3 – p. 18.
10b	Example of installation in a boat without an isolation transformer (AC part) Highlight(s): Where there are multiple sources, for example connection to the dock and on-board generator, a source reverser (X) guaranteeing switching with phase and neutral interruption must be installed.

Fig.	Description and comment
10c	<p>Installation example in a boat, with isolation transformer</p> <p>Characteristic: With several power sources, like shore connection and on-board generator, a switchover (X) must be installed, to safely switch between the different voltage sources with guaranteed interruption of the phase and neutral conductors. Moreover, an earth must be formed (E) after the isolation transformer.</p>
11	<p>Example of a hybrid installation</p> <p>This is the most common system used to establish an emergency system or a hybrid system (grid-remote sites) ensuring a single-phase supply from a generator and/or the battery.</p> <p>Highlight(s): In a hybrid installation, the sources for recharging a battery (k-m) are connected directly to the batterie via their own regulator and their own protective device. This does not interfere with the Xtender charger.</p>
12	<p>Example of parallel connection of 2 or 3 Xtenders</p> <ol style="list-style-type: none"> 1. Only Xtenders of the same power output may be connected in parallel. 2. Wiring precautions: The cable lengths and cross-sections of AC-In input (A) and AC-Out output (B) must be the same for all inverters in parallel in the same phase. 3. Variant: The sum of the lengths of the cables (A1) + (B1) of Xtender 1 must be the same as the sum of the lengths of the cables (A1) + (B1) of Xtender 2, and for Xtender 3 4. The AC input for each Xtender must be protected individually by a protection device (H) of the appropriate size but max. 50A (XTH and XTM) or 16A (XTS). 5. The protection device at the output of the Xtender (F) can be shared and should be sized given the sum of the currents of the devices in parallel. 6. In a multi-unit system, the functionality dedicated to the remote entry (sect. 0 - p. 31) must be the same for every unit. Only 1 unit has to be wired and the function is applied to every unit of the system.
13	<p>Example of three-phase cabling of 3 Xtenders – three-phase input</p> <p>Highlight(s): When 3 Xtenders are wired to form a three-phase grid, the wired phases at the input determine the jumper position for selecting the phase (10). It is vital to determine and select the phase for each Xtender.</p> <p>See also sect. 8.1 – p. 34.</p> <p>The comments for fig. 12 - 4 to 6 are valid.</p>
14	<p>Example of three-phase cabling of 3 Xtenders – single-phase input</p> <p>Highlight(s): In a three-phase configuration, if only one phase is available as a source, only one Xtender will be wired on that source. Phase 2 and 3 will be permanently fed from the two other units connected only to the battery (not connected to AC-In).</p> <p>It is vital to determine and select the phase for each Xtender.</p> <p>The comments for fig. 12 are valid.</p>
15	<p>Example of three-phase, input and output wired, with reinforced phase</p> <p>Highlight(s): This installation allows a three-phase supply with a reinforced phase The reinforced phase may be incorporated on two or even three inverters in parallel. The protection device at the output on which 2 or 3 Xtenders are wired must be calibrated according to the sum of the maximum currents of the devices in parallel.</p> <p>The comments for fig. 12 to 13 are valid.</p>
16	<p>Example of cabling of 9 Xtenders in three-phase and parallel – AC part</p> <p>Special feature: In fixed high power installations, it is advised that a shared neutral be retained, distributed to all parties in the grid (see (C))</p> <p>The comments for figs. 12 to 15 are valid.</p>
17	<p>Example of cabling of 9 Xtenders in three-phase and parallel – DC part (distribution bar)</p>
18	<p>Example of cabling of 9 Xtenders in three-phase and parallel – DC part in star formation</p>
19	<p>Connection of remote controls RCC-02/-03</p> <p>A maximum of 3 remote controls can be attached to any Xtender system with 1 or more Xtender units.</p>

16 DRAWING ELEMENTS (DC SIDE)

Elem.	Description	Comment
a	RCC-02/-03 remote control	This device allows complete configuration of the installation as well as displaying the system behaviour. It is recommended but not necessary for the installation to function well. See sect. 9.1 – p. 35.
b	Battery	The battery capacity is constituted according to figures 5a to 6d based on the required voltage. Note: It is vital that the voltage and the polarity of the battery be checked before connecting to the inverter. An overload or incorrect polarity could seriously damage the Xtender. Correct dimensioning of the batteries is essential for trouble free operation of the system. See sect. 4.3.1 – p. 18.
c	Earthing	See sect. 4.5.5 – p. 22
e	Communications cable	Communications cable. Only an original cable supplied by Steca may be used. The total length of the communications cable must not exceed 100 m for 3 x RCC-02/-03 or 300 m for a single RCC-02/-03.
f	Protection devices	A fuse-type device, thermal circuit breaker or magnetic-thermal circuit breaker (see fig. 8a) must be installed on at least one of the two battery conductors. It will ideally be placed on the positive pole of the battery and as close as possible to this. The calibre of the device is selected according to the cable cross-section used. If the negative pole of the battery is not earthed, it must also be protected by such a device.
h	Distribution bar	Positive pole of the battery
j	Distribution bar	Negative pole of the battery
k	Wind-powered or/and micro-hydro generator	One or more wind-powered generators or/and micro-hydro with their own regulation system may be used to directly charge the battery. Its dimensioning does not depend on the Xtender and does not interfere with it.
m	Solar generator	One or more solar-powered generators with their own regulation system may be used to directly charge the battery. Its dimensioning does not depend on the Xtender and does not interfere with it.
r	Remote entry	A control device may be connected to the terminals (7) of the Xtender. See sect. 7.7 – p. 31. On XTM and XTS this input is available on a separate (external) device RCM-10 (see sect. 9.3.1- p. 36).
t	BTS-01 temperature sensor	The sensor is placed in the immediate proximity to the battery. If the installation comprises several Xtenders, a single sensor is connected to one of the units. See sect. 9.2 - p. 36.

17 FIGURE ELEMENTS (AC PART)

Elem.	Description	Comment
A	Input supply cable	The cross-section is defined by means of the maximum current at source and the protection device (H). In multi-unit systems, cables (A) of the same phase must have the same length and cross-section (see comment fig. 12-2/3).
B	Output supply cable	In multi-unit systems, cables (B) of the same phase must have the same length and cross-section (see comment fig. 12-2/3). The cross-section must be selected by means of the Xtender's output current given on the type plate and the protection device selected for the input (see fig. 1a).
C	Connection of the neutrals	See sect. 4.2 - p. 17. In a fixed installation where the neutral is connected to the earth at a single installation point upstream of the Xtender, it is permissible to carry out a connection of the neutrals in order to preserve an unchanged earthing system downstream, independent of the operating mode of the Xtender. This presents the advantage that the downstream protecting ground fault devices remain functional. This connection (C) is not permitted if a socket is installed upstream of the Xtender.
D	Differential circuit breaker	A protection device can be installed downstream of the source (G or U) according to the local requirements and in compliance with the applicable regulations and standards.
E	Earth-neutral connection bridge	The neutral is earthed at a single point of the installation, downstream of the source and upstream of the protection device(s) at the default current (DDR). When several sources are available, each source must have an earthed neutral. If the source has to be retained with an isolated earthing system (IT) the applicable local provisions and regulations must be applied.
F	AC output protection devices for the Xtender	A protection device dimensioned depending on the cable cross-section used may be installed downstream of the Xtender (main circuit breaker before distribution). The cable cross-section is to be dimensioned according to the calculation table of maximum output current (fig. 1). The internal current limitation value of the Xtender is stated on the type plate Fig. 1b (35).
G	Generator	The generator is dimensioned according to the requirements of the user. Its rated current will determine the adjustment of the parameter {1107} "maximum current of the AC source".
H	Protection devices at the Xtender input	The protection device at the input of the Xtender must be dimensioned according to the power output of the source at the cable cross-section used. It will not exceed a calibre equivalent to the input current "I AC-In" given on the type plate of the unit Fig. 1b (35).
K	Connection plug / socket	If the Xtender is connected to an AC source by means of a plug, the connection cable must not exceed a length of 2 m, and the socket must remain permanently accessible. The socket will be protected by a protection device of appropriate calibre. The connection of the neutrals (C) is prohibited in this case.
S	Secured grid	Distribution to the users supplied by the grid or the generator when this is present or by the Xtender within the limit of its power output from energy stored in the battery. This distribution is carried out in conformity with the local standards and regulations.
T	Non-secured grid	Distribution to users supplied exclusively via the present grid or the generator. This distribution is carried out in conformity with the local standards and regulations.
U	Public grid	The connection to the public grid imposes adherence to the local standards and regulations at the responsibility of the installer. The installation should, in principle, be checked and approved by an official body.

Elem.	Description	Comment
V	Automatic earth-neutral connection	This connection is deactivated by default. It may be used in certain specific cases for automatically re-establishing the neutral system type TT (TNC, TNS, TNC-S) when the Xtender is in inverter mode. The activation is carried out via RCC-02/-03 remote control by configuration of the parameter {1485}. This operation may only be carried out by qualified personnel, under the responsibility of these personnel, and in conformity with the local standards and regulations. See 4.2.3 – p. 18.
W	Galvanic isolator	This device (optional) is generally used to reduce the risk of electrolytic corrosion due to the direct current when a boat is connected at the dock.
X	Source reversing switch	When the installation has more than one supply source, it is necessary to install a switching device between the sources, simultaneously switching the neutral and the phase(s) of these sources. In all cases this device (manual or automatic) must guarantee interruption of the connected source before its connection to another source.
Y	Isolation transformer	This device (optional) prevents the risk of galvanic corrosion due to direct currents when a boat is connected at the dock.

18 MECHANICAL DIMENSION AND MOUNTING ELEMENTS

Pos.	Description	Comments
25	Mounting hook-up for XTS	Delivered with the unit (without screws for wall mounting)
26	Mounting hook-up for XTH	
27	Access shutter to the top fastening screw	This flap should be resealed after tightening the screws to prevent small animals that could damage the device from entering.

19 NAMEPLATE (FIG. 1B)

Pos.	Denomination	Description	Comments
30	Model	Model	
31	Pnom*/P30*	Rated power output / power for 30 minutes with external cooling fan ECF-01	Model XTS only
32	Pnom/P30	Rated power output / power for 30 minutes	
33	Udc Battery	Rated battery voltage (accepted input range)	
34	Idc Charge/inv/inv*	Maximum current in charger/nominal current in inverter/in inverter with external cooling fan for XTS model	
35	UAC-In	Maximum current at input / output	See sect. 7.2 – p. 26.
36	IAC-In	Rated AC input voltage (input range)	See sect. 7.2.2 – p. 27.
37	UAC-Out	Rated output voltage in inverter mode (possible adjustment range in inverter mode)	When the transfer relay is activated, the AC output voltage is equivalent to AC input voltage
38	I AC-Out Inv/Inv*/max	Maximum charger current	See sect. 7.2.2 – p. 27.
39	SN:xxxxxxxx	Serial no.	
40	IPxx	Protection rating according to IEC 60529	

20 TABLE OF FACTORY DEFAULT PARAMETER SETTINGS

Level	User ref.	Parameter	Factory value	User value
Basic	1107	Maximum current of AC source (Input limit)	32 Aac	
Expert	1108	Battery undervoltage level without load	11.6/23.2/46.3 Vdc	
Expert	1109	Battery undervoltage level at full load	10.5/21/42 Vdc	
Expert	1110	Restart voltage after batteries undervoltage	12/24/48 Vdc	
Expert	1111	Autostart to the battery connection	No	
Expert	1112	Inverter frequency	50 Hz	
Expert	1121	Battery overvoltage level	17/34.1/68.2 Vdc	
Expert	1122	Restart voltage level after an battery overvoltage	16.2/32.4/64.8 Vdc	
Basic	1124	Inverter allowed	Yes	
Expert	1125	Charger allowed	Yes	
Basic	1126	Smart-Boost allowed	Yes	
Expert	1127	Grid feeding allowed	No	
Expert	1128	Transfer relay allowed	Yes	
Expert	1130	After battery undervoltage	Yes	
Expert	1131	After battery overvoltage	Yes	
Expert	1132	After inverter or Smart-Boost overload	Yes	
Expert	1134	After overtemperature	Yes	
Basic	1138	Battery charge current	60 Adc	
Expert	1139	Temperature compensation	-3 mV/°C/cell	
Expert	1140	Floating voltage	13.6/27.2/54.4 Vdc	
Expert	1142	Force a new cycle	-	
Expert	1143	Voltage level 1 to start a new cycle	12.5/25/49.9 Vdc	
Expert	1144	Time period under voltage level 1 to start a new cycle	30 min	
Expert	1145	Voltage level 2 to start a new cycle	12.3/24.6/49.2 Vdc	
Expert	1146	Time period under voltage level 2 to start a new cycle	60 sec	
Expert	1147	Cycling restricted	No	
Expert	1148	Minimal delay between cycles	3 hours	
Expert	1149	New cycle priority on absorption and equalization phases	No	
Expert	1155	Absorption phase allowed	Yes	
Expert	1156	Absorption voltage	14.4/28.8/57.6 Vdc	
Expert	1157	Absorption duration	2 hours	
Expert	1158	End of absorption triggered with current	No	
Expert	1159	Current limit to quit the absorption phase	4 Adc	
Expert	1160	Maximal frequency of absorption control	No	
Expert	1161	Minimal delay since last absorption	2 hours	
Expert	1162	Force equalization	-	
Expert	1163	Equalization allowed	No	
Expert	1164	Equalization voltage	15.6/31.2/62.4 Vdc	
Expert	1165	Equalization duration	0.5 hours	
Expert	1166	Number of cycles before an equalization	25	
Expert	1168	End of equalization triggered with current	No	
Expert	1169	Current threshold to end equalization phase	4 Adc	
Expert	1170	Reduced floating allowed	No	
Expert	1171	Floating duration before reduced floating	1 days	
Expert	1172	Reduced floating voltage	13.2/26.4/52.8 Vdc	
Expert	1173	Periodic absorption allowed	No	

Level	User ref.	Parameter	Factory value	User value
Expert	1174	Periodic absorption voltage	14.4/28.8/57.6 Vdc	
Expert	1175	Reduced floating duration before periodic absorption	7 days	
Expert	1176	Periodic absorption duration	0.5 hours	
Basic	1187	Standby level	10%	
Expert	1188	Standby number of pulses	1	
Expert	1189	Time delay between standby pulses	0.8 sec	
Expert	1190	Battery undervoltage duration before turn off	3 min	
Expert	1191	Battery undervoltage dynamic compensation	Yes	
Expert	1194	Battery adaptive low voltage (B.L.O)	No	
Expert	1195	Max voltage for adaptive low voltage	12.5/25/49.9 Vdc	
Expert	1198	Time delay before opening of transfer relay	8 sec	
Expert	1199	Input voltage giving an opening of the transfer relay with delay	180 Vac	
Expert	1200	Input voltage giving an immediate opening of the transfer relay (UPS)	150 Vac	
Expert	1202	Operating mode (AUX 1)	Automatic	
Expert	1205	Day of the week (AUX 1)	None days	
Expert	1206	Start hour (AUX 1)	07:00 hh:mm	
Expert	1207	End hour (AUX 1)	20:00 hh:mm	
Expert	1209	Day of the week (AUX 1)	None days	
Expert	1210	Start hour (AUX 1)	07:00 hh:mm	
Expert	1211	End hour (AUX 1)	20:00 hh:mm	
Expert	1213	Day of the week (AUX 1)	None days	
Expert	1214	Start hour (AUX 1)	07:00 hh:mm	
Expert	1215	End hour (AUX 1)	20:00 hh:mm	
Inst.	1217	Day of the week (AUX 1)	None days	
Inst.	1218	Start hour (AUX 1)	07:00 hh:mm	
Inst.	1219	End hour (AUX 1)	20:00 hh:mm	
Inst.	1221	Day of the week (AUX 1)	None days	
Inst.	1222	Start hour (AUX 1)	07:00 hh:mm	
Inst.	1223	End hour (AUX 1)	20:00 hh:mm	
Expert	1225	Xtender is OFF (AUX 1)	No	
Expert	1226	Battery undervoltage alarm (AUX 1)	No	
Expert	1227	Battery overvoltage (AUX 1)	No	
Expert	1228	Inverter or Smart- Boost overload (AUX 1)	No	
Expert	1229	Overtemperature (AUX 1)	No	
Expert	1231	Active charger (AUX 1)	No	
Expert	1232	Active inverter (AUX 1)	No	
Expert	1233	Active Smart-Boost (AUX 1)	No	
Expert	1234	AC input presence but with fault (AUX 1)	No	
Expert	1235	AC input presence (AUX 1)	No	
Expert	1236	Transfer relay ON (AUX 1)	No	
Expert	1237	AC out presence (AUX 1)	No	
Expert	1238	Bulk charge phase (AUX 1)	No	
Expert	1239	Absorption phase (AUX 1)	No	
Expert	1240	Equalization phase (AUX 1)	No	
Expert	1242	Floating (AUX 1)	No	
Expert	1243	Reduced floating (AUX 1)	No	
Expert	1244	Periodic absorption (AUX 1)	No	

Level	User ref.	Parameter	Factory value	User value
Expert	1246	Battery voltage 1 activate (AUX 1)	Yes	
Expert	1247	Battery voltage 1 (AUX 1)	11.7/23.4/46.8 Vdc	
Expert	1248	Delay 1 (AUX 1)	1 min	
Expert	1249	Battery voltage 2 activate (AUX 1)	Yes	
Expert	1250	Battery voltage 2 (AUX 1)	11.9/23.9/47.8 Vdc	
Expert	1251	Delay 2 (AUX 1)	10 min	
Expert	1252	Battery voltage 3 activate (AUX 1)	Yes	
Expert	1253	Battery voltage 3 (AUX 1)	12.1/24.2/48.5 Vdc	
Expert	1254	Delay 3 (AUX 1)	60 min	
Expert	1255	Battery voltage to deactivate (AUX 1)	13.5/27/54 Vdc	
Expert	1256	Delay to deactivate (AUX 1)	60 min	
Expert	1258	Inverter power level 1 activate (AUX 1)	No	
Expert	1259	Power level 1 (AUX 1)	120 % Pnom	
Expert	1260	Time delay 1 (AUX 1)	1 min	
Expert	1261	Inverter power level 2 activate (AUX 1)	No	
Expert	1262	Power level 2 (AUX 1)	80 % Pnom	
Expert	1263	Time delay 2 (AUX 1)	5 min	
Expert	1264	Inverter power level 3 activate (AUX 1)	No	
Expert	1265	Power level 3 (AUX 1)	50 % Pnom	
Expert	1266	Time delay 3 (AUX 1)	30 min	
Expert	1267	Inverter power level to deactivate (AUX 1)	40 % Pnom	
Expert	1268	Time delay to deactivate (AUX 1)	5 min	
Expert	1271	Day of the week (AUX 1)	None days	
Expert	1272	Start hour (AUX 1)	07:00 hh:mm	
Expert	1273	End hour (AUX 1)	20:00 hh:mm	
Expert	1275	Day of the week (AUX 1)	None days	
Expert	1276	Start hour (AUX 1)	07:00 hh:mm	
Expert	1277	End hour (AUX 1)	20:00 hh:mm	
Expert	1279	Day of the week (AUX 1)	None days	
Expert	1280	Start hour (AUX 1)	07:00 hh:mm	
Expert	1281	End hour (AUX 1)	20:00 hh:mm	
Expert	1283	Integral mode	Yes	
Expert	1284	Equalization with fixed interval	No	
Expert	1285	Weeks between equalizations	26 weeks	
Expert	1286	AC Output voltage	230 Vac	
Inst.	1287	Restore factory settings	-	
Expert	1288	Use dynamic compensation of battery level (AUX 1)	No	
Expert	1290	Equalization current	60 Adc	
Expert	1291	Equalization before absorption phase	Yes	
Expert	1295	Charge current decrease coef. at voltage limit to turn back in inverter mode	100%	
Expert	1296	Batteries priority as energy source	No	
Expert	1297	Battery priority voltage	12.9/25.8/51.6 Vdc	
Expert	1298	Increment step of the adaptive low voltage	0.1/0.2/0.5 Vdc	
Expert	1304	Number of batteries undervoltage allowed before definitive stop	3	
Expert	1305	Number of batteries critical undervoltage allowed before definitive stop	10	
Expert	1307	Reset voltage for adaptive correction	13.2/26.4/52.8 Vdc	

Level	User ref.	Parameter	Factory value	User value
Expert	1309	AC input low limit voltage to allow charger function	180 Vac	
Expert	1311	Operating mode (AUX 2)	Reversed automatic	
Expert	1314	Day of the week (AUX 2)	None days	
Expert	1315	Start hour (AUX 2)	07:00 hh:mm	
Expert	1316	End hour (AUX 2)	20:00 hh:mm	
Expert	1318	Day of the week (AUX 2)	None days	
Expert	1319	Start hour (AUX 2)	07:00 hh:mm	
Expert	1320	End hour (AUX 2)	20:00 hh:mm	
Expert	1322	Day of the week (AUX 2)	None days	
Expert	1323	Start hour (AUX 2)	07:00 hh:mm	
Expert	1324	End hour (AUX 2)	20:00 hh:mm	
Inst.	1326	Day of the week (AUX 2)	None days	
Inst.	1327	Start hour (AUX 2)	07:00 hh:mm	
Inst.	1328	End hour (AUX 2)	20:00 hh:mm	
Inst.	1330	Day of the week (AUX 2)	None days	
Inst.	1331	Start hour (AUX 2)	07:00 hh:mm	
Inst.	1332	End hour (AUX 2)	20:00 hh:mm	
Expert	1333	Xtender is OFF (AUX 2)	Yes	
Expert	1334	Battery undervoltage alarm (AUX 2)	Yes	
Expert	1335	Battery overvoltage (AUX 2)	Yes	
Expert	1336	Inverter or Smart-Boost overload (AUX 2)	Yes	
Expert	1337	Overtemperature (AUX 2)	Yes	
Expert	1339	Active charger (AUX 2)	No	
Expert	1340	Active inverter (AUX 2)	No	
Expert	1341	Active Smart-Boost (AUX 2)	No	
Expert	1342	AC input presence but with fault (AUX 2)	No	
Expert	1343	AC input presence (AUX 2)	No	
Expert	1344	Transfer contact ON (AUX 2)	No	
Expert	1345	AC out presence (AUX 2)	No	
Expert	1346	Bulk charge phase (AUX 2)	No	
Expert	1347	Absorption phase (AUX 2)	No	
Expert	1348	Equalization phase (AUX 2)	No	
Expert	1350	Floating (AUX 2)	No	
Expert	1351	Reduced floating (AUX 2)	No	
Expert	1352	Periodic absorption (AUX 2)	No	
Expert	1354	Use dynamic compensation of battery level (AUX 2)	No	
Expert	1355	Battery voltage 1 activate (AUX 2)	No	
Expert	1356	Battery voltage 1 (AUX 2)	12/24/48 Vdc	
Expert	1357	Delay 1 (AUX 2)	5 min	
Expert	1358	Battery voltage 2 activate (AUX 2)	No	
Expert	1359	Battery voltage 2 (AUX 2)	11.5/23/46.1 Vdc	
Expert	1360	Delay 2 (AUX 2)	5 min	
Expert	1361	Battery voltage 3 activate (AUX 2)	No	
Expert	1362	Battery voltage 3 (AUX 2)	11/22.1/44.2 Vdc	
Expert	1363	Delay 3 (AUX 2)	5 min	
Expert	1364	Battery voltage to deactivate (AUX 2)	12.6/25.2/50.4 Vdc	
Expert	1365	Delay to deactivate (AUX 2)	5 min	

Level	User ref.	Parameter	Factory value	User value
Expert	1367	Inverter power level 1 activate (AUX 2)	No	
Expert	1368	Power level 1 (AUX 2)	120 % Pnom	
Expert	1369	Time delay 1 (AUX 2)	0 min	
Expert	1370	Inverter power level 2 activate (AUX 2)	No	
Expert	1371	Power level 2 (AUX 2)	80 % Pnom	
Expert	1372	Time delay 2 (AUX 2)	5 min	
Expert	1373	Inverter power level 3 activate (AUX 2)	No	
Expert	1374	Power level 3 (AUX 2)	50 % Pnom	
Expert	1375	Time delay 3 (AUX 2)	30 min	
Expert	1376	Inverter power level to deactivate (AUX 2)	40 % Pnom	
Expert	1377	Time delay to deactivate (AUX 2)	5 min	
Expert	1380	Day of the week (AUX 2)	None days	
Expert	1381	Start hour (AUX 2)	07:00 hh:mm	
Expert	1382	End hour (AUX 2)	20:00 hh:mm	
Expert	1384	Day of the week (AUX 2)	None days	
Expert	1385	Start hour (AUX 2)	07:00 hh:mm	
Expert	1386	End hour (AUX 2)	20:00 hh:mm	
Expert	1388	Day of the week (AUX 2)	None days	
Expert	1389	Start hour (AUX 2)	07:00 hh:mm	
Expert	1390	End hour (AUX 2)	20:00 hh:mm	
Basic	1395	Restore default settings	-	
Inst.	1399	OFF of the Xtenders	-	
Expert	1404	Time period for batteries undervoltages counting	0 sec	
Expert	1405	Time period for critical batteries undervoltages counting	10 sec	
Inst.	1415	ON of the Xtenders	-	
Inst.	1432	Absolute max limit for input voltage	270 Vac	
Expert	1433	Adaptation range of the input current according to the input voltage	10 Vac	
Expert	1436	Overrun AC source current limit without opening the transfer relay (Input limit)	Yes	
Inst.	1437	Minigrid compatible	No	
Expert	1438	Solsafe presence Energy source at AC-Out side	No	
Expert	1439	Contact activated with the SOC 1 of battery (AUX 1)	No	
Expert	1440	Contact activated below SOC 1 (AUX 1)	50 % SOC	
Expert	1441	Contact deactivated over SOC (AUX 1)	90 % SOC	
Expert	1442	Contact activated with the SOC 1 of battery (AUX 2)	No	
Expert	1443	Contact activated below SOC 1 (AUX 2)	50 % SOC	
Expert	1444	Contact deactivated over SOC (AUX 2)	90 % SOC	
Inst.	1446	Contact activated with the temperature of battery (AUX 1)	No	
Inst.	1447	Contact activated over (AUX 1)	3 °C	
Inst.	1448	Contact deactivated below (AUX 1)	5 °C	
Inst.	1457	Contact activated with the temperature of battery (AUX 2)	No	
Inst.	1458	Contact activated over (AUX 2)	3 °C	
Inst.	1459	Contact deactivated below (AUX 2)	5 °C	
Expert	1461	Multi inverters allowed	Yes	


Level	User ref.	Parameter	Factory value	User value
Expert	1462	Multi inverters independents. Need reset {1468}	No	
Expert	1467	Force phase of floating	-	
Expert	1468	Reset of all the inverters	-	
Expert	1485	Prohibited ground relay	Yes	
Expert	1486	Continuous neutral	No	
Expert	1491	Generator control active	No	
Expert	1492	Starter pulse duration (with AUX2)	3 sec	
Expert	1493	Number of starting attempts	5	
Expert	1494	Time before a starter pulse	3 sec	
Expert	1497	Combination of the events for the auxiliary contact (AUX 1)	Any (Function OR)	
Expert	1498	Combination of the events for the auxiliary contact (AUX 2)	Any (Function OR)	
Expert	1505	Delta frequency allowed above the standard input frequency	5 Hz	
Expert	1506	Delta frequency allowed under the standard input frequency	5 Hz	
Expert	1507	Duration with frequency error before opening the transfer	2 sec	
Expert	1510	Tolerance on detection of AC-input loss (tolerant UPS mode)	100	
Expert	1512	Security, maximum time of contact (AUX 1)	No	
Expert	1513	Security, maximum time of contact (AUX 2)	No	
Expert	1514	Maximum time of operation of contact (AUX 1)	600 min	
Expert	1515	Maximum time of operation of contact (AUX 2)	600 min	
Expert	1516	Deactivate if battery in floating phase (AUX 1)	Yes	
Expert	1517	Deactivate if battery in floating phase (AUX 2)	No	
Expert	1518	Xtender ON (AUX 1)	No	
Expert	1519	Xtender ON (AUX 2)	No	
Expert	1520	No overtemperature (AUX 1)	No	
Expert	1521	No overtemperature (AUX 2)	No	
Expert	1523	Max grid feeding current	10 Aac	
Expert	1524	Battery voltage target for forced grid feeding	12/24/48 Vdc	
Expert	1525	Forced grid feeding start time	20:00 hh:mm	
Expert	1526	Forced grid feeding stop time	20:00 hh:mm	
Expert	1527	Decrease max input limit current with AC-In voltage	No	
Expert	1532	Kind of dynamic compensation	Automatic	
Expert	1533	Delay to restart after an overload	5 sec	
Expert	1534	Speed of voltage or frequency change in function of battery	0	
Expert	1536	Inverter frequency increase when battery full	No	
Expert	1538	Prohibits transfert relay	No	
Expert	1539	Prohibits inverter	No	
Expert	1540	Prohibits charger	No	
Expert	1541	Prohibits Smart-Boost	No	
Expert	1542	Prohibits grid feeding	No	
Expert	1543	Remote entry (AUX 1)	No	
Expert	1544	Remote entry (AUX 2)	No	
Expert	1545	Remote entry active	Open	

Level	User ref.	Parameter	Factory value	User value
Expert	1546	Max frequency increase	4 Hz	
Expert	1547	Allow slaves standby in multi-Xtender system	Yes	
Expert	1548	AC voltage increase according to battery voltage	No	
Expert	1549	Inverter frequency increase according to battery voltage	No	
Inst.	1550	Parameters saved in flash memory	Yes	
Basic	1551	Basic parameters set by means of the potentiometer in the XTS	Yes	
Basic	1552	Type of detection of the grid loss (AC-In)	Tolerant	
Expert	1553	Speed of input limit increase	50	
Expert	1554	Decrease of the max. current of the source with input voltage activated by command entry	No	
Expert	1555	Battery cycle synchronized by the master	Yes	
Inst.	1556	is central inverter in distributed minigrid	No	
Inst.	1557	Use an energy quota on AC-input	No	
Inst.	1559	AC-in energy quota	1 kWh	
Expert	1560	Max AC voltage increase with battery voltage	10 Vac	
Expert	1565	Buzzer alarm duration	0 min	
Expert	1566	Using a secondary value for the maximum current of the AC source	No	
Expert	1567	Second maximum current of the AC source (Input limit)	16 Aac	
Expert	1569	Reset all settings (AUX 1)	-	
Expert	1570	Reset all settings (AUX 2)	-	
Expert	1571	Splitphase: L2 with 180 degrees phaseshift	No	
Expert	1574	Main contact hold/interrupt time	0 sec	
Expert	1575	AC-IN current active filtering	No	
Expert	1576	ON/OFF command	No	
Inst.	1577	Minigrid with shared battery energy	Yes	
Expert	1578	Activated by AUX1 state	No	
Expert	1579	Prohibits battery priority	No	
Expert	1580	Delay before closing transfer relay	0 min	
Expert	1581	Delay 1 (AUX 1)	12 hours	
Expert	1582	Contact activated with the SOC 2 of battery (AUX 1)	No	
Expert	1583	Contact activated below SOC 2 (AUX 1)	30%	
Expert	1584	Delay 2 (AUX 1)	0.2 hours	
Expert	1585	Contact activated with the SOC 3 of battery (AUX 1)	No	
Expert	1586	Contact activated below SOC 3 (AUX 1)	20%	
Expert	1587	Delay 3 (AUX 1)	0 hours	
Expert	1588	Delay to deactivate (AUX 1)	0.2 hours	
Expert	1589	Deactivate if battery in floating phase (AUX 1)	Yes	
Expert	1590	Delay 1 (AUX 2)	12 hours	
Expert	1591	Contact activated with the SOC 2 of battery (AUX 2)	No	
Expert	1592	Contact activated below SOC 2 (AUX 2)	30%	
Expert	1593	Delay 2 (AUX 2)	0.2 hours	

Level	User ref.	Parameter	Factory value	User value
Expert	1594	Contact activated with the SOC 3 of battery (AUX 2)	No	
Expert	1595	Contact activated below SOC 3 (AUX 2)	20%	
Expert	1596	Delay 3 (AUX 2)	0 hours	
Expert	1597	Delay to deactivate (AUX 2)	0.2 hours	
Expert	1598	Deactivate if battery in floating phase (AUX 2)	Yes	
Expert	1599	Softstart duration	0 sec	
Inst.	1600	Disable minigrid mode	No	
Inst.	1601	AC-in energy quota (AUX1)	No	
Inst.	1602	AC-in energy quota (AUX2)	No	
Inst.	1607	Limitation of the power Boost	100%	
Inst.	1608	Use dynamic compensation of battery level (new cycle)	No	
Inst.	1610	Use of the defined phase shift curve for injection	No	
Inst.	1613	Power of the second cos phi point in % of Pnom	50%	
Inst.	1622	Cos phi at P = 0%	1	
Inst.	1623	Cos phi at the power defined by param {1613}	1	
Inst.	1624	Cos phi at P = 100%	1	
Inst.	1627	ARN4105 frequency control enabled	No	
Inst.	1628	Xtender watchdog enabled	No	
Inst.	1629	Xtender watchdog delay	60 sec	
Inst.	1630	Delta from user frequency to start derating	1 Hz	
Inst.	1631	Delta from user frequency to reach 100% derating	2 Hz	

² The second value concerns the 120Vac ranges

⁴ NC=Factory setting not changeable

	To modify the parameters, please refer to the operating instructions for the RCC-02/-03 remote control.
---	---

21 TECHNICAL DATA

Inverter model	XTS 900-12	XTS 1200-24	XTS 1400-48	XTM 1500-12	XTM 2000-12	XTM 2400-24	XTM 2600-48	XTM 3500-24	XTM 4000-48	XTH 3000-12	XTH 5000-24	XTH 6000-48	XTH 8000-48	
Nominal battery voltage	12Vdc	24Vdc	48Vdc	12Vdc		24Vdc	48Vdc	24Vdc	48Vdc	12Vdc	24Vdc	48Vdc		
Input voltage range	9.5-17Vdc	19-34Vdc	38-68Vdc	9.5-17Vdc		19-34Vdc	38-68Vdc	19-34Vdc	38-68Vdc	9.5-17Vdc	19-34Vdc	38-68Vdc		
Continuous power @ 25°C	650**/500VA	800**/650VA	900**/750VA	1500VA	2000VA			3000VA	3500VA	2500VA	4500VA	5000VA	7000VA	
Power 30 min. @ 25°C	900**/700VA	1200**/1000VA	1400**/1200VA	1500VA	2000VA	2400VA	2600VA	3500VA	4000VA	3000VA	5000VA	6000VA	8000VA	
Power 3 sec. @25°C	2.3kVA	2.5kVA	2.8kVA	3.4kVA	4.8kVA	6kVA	6.5kVA	9kVA	10.5kVA	7.5kVA	12kVA	15kVA	21kVA	
Maximum load	Up to short-circuit													
Maximum asymmetric load	Up to Pcont.													
* Load detection (Stand-by)	2 to 25W													
Cos φ	0.1-1													
Maximum efficiency.	93%	93%	93%	93%		94%	96%	94%	96%	93%	94%	96%		
Consumption OFF/Stand-by/ON	1.1W/1.4W/7W	1.2W/1.5W/8W	1.3W/1.6W/8W	1.2W/1.4W/8W	1.2W/1.4W/10W	1.4W/1.6W/9W	1.8W/2W/10W	1.4W/1.6W/12W	1.8W/2.1W/14W	1.2W/1.4W/14W	1.4W/1.8W/18W	1.8W/2.2W/22W	1.8W/2.4W/30W	
* Output voltage	Pure sine wave 230Vac (+/- 2%) / 120Vac (1)													
* Output frequency	50Hz / 60Hz(1) +/- 0.05% (crystal controlled)													
Harmonic distortion	<2%													
Overload and short-circuit protection	Automatic disconnection with 3 restart attempts													
Overheat protection	Warning before shut-down – with automatic restart													
Battery charger														
* Charge characteristics	6 steps : bulk - absorption - floating - equalization - reduced floating – periodic absorption													
* Maximum charging current	35A	25A	12A	70A	100A	55A	30A	90A	50A	160A	140A	100A	120A	
* Temperature compensation	WithBTS-01 or BSP 500/1200													
Power factor correction (PFC)	EN 61000-3-2													
General data														
* Input voltage range	150 to 265Vac / 50 to 140Vac(1)													
Input frequency	45 to 65Hz													
Input current max. (transfer relay) / Output current max.	16Aac/20Aac			50Aac/56Aac						50Aac/80Aac				
Transfer time (UPS)	<15ms													
Multifunction contacts	Module ARM-02 with 2 contacts as option			Two independent switchover contacts (potential free,16A-250 Vac / 3A-50Vdc)										
Weight	8.2 kg	9kg	9.3 kg	15 kg	18.5 kg	16.2 kg		21.2 kg	22.9 kg	34 kg	40 kg	42 kg	46 kg	
Dimension h x w x l [mm]	110x210x310	110x210x310	110x210x310	133x322x466				133x322x466		230x300x500	230x300x500	230x300x500		
Protection index	IP54			IP20										
Conformity	Directive EMC 2004/108/CE : EN 61000-6-1, EN 61000-6-3, EN 55014, EN 55022, EN 61000-3-2, 62040-2 Low voltage directive : 2006/95/CE : EN 50178, EN 62040-1, EN 60950-1, EN 62109-1													
Operating temperature range	-20 to 55°C													
Relative humidity in operation	100%			95% without condensation										
Ventilation	Optional cooling module ECF-01			Forced from 55°C										
Acoustic level	<40dB / <45dB (without / with ventilation)													

* Adjustable value

** value with optional cooling fan module ECF-01

(1) With -01 at the end of the reference (i.e. XTM3500-24-01), means 120V/60Hz. Available for all Xtender except XTH 8000-48



Steca Elektronik GmbH
www.steca.com
Customer service:
+49 8331 8558 833
service@stecasolar.com