



Operating instructions

Overvoltage protection
OP1

EN

724.206 | Z01 | 07.26



1. Installation

Using the two pre-drilled holes (1), fasten the connection socket to an even and firm surface. In order to guarantee a high degree of protection, remove the locking caps (2) from the base of the casing and place them into the pre-drilled holes. If the connection socket is to be used outdoors, drill open the condensation water hole located at the bottom corner of the base of the socket. After having realized the electrical connections (see below), close the cover with the two screws (3).

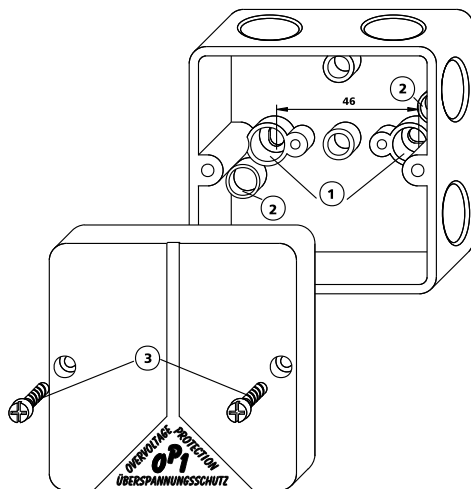
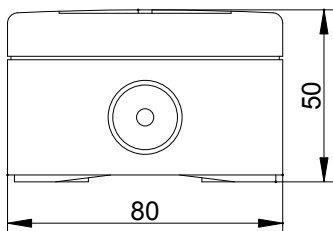
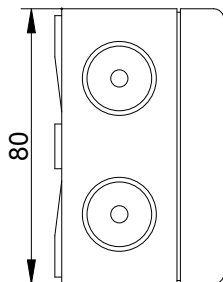
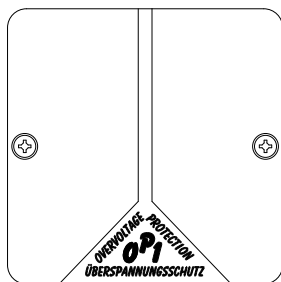
2. Electrical connection

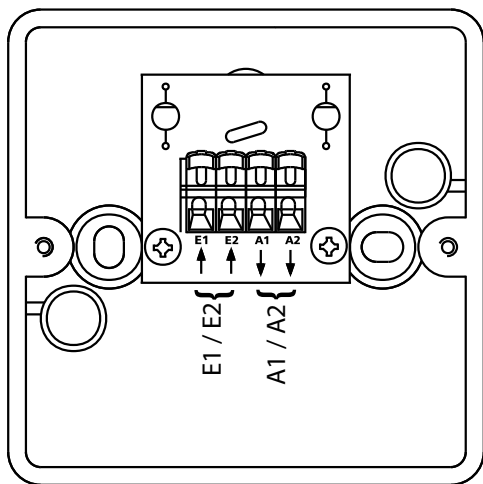
Perforate the chosen cable inlets with a sharp object and insert the cables. Always insert the cables from below in order to protect against penetrating humidity. Use your fingers or a screwdriver to activate the terminal clamps by pushing back the tongue lever. Connect the sensor cable to clamps E1 and E2 and the outgoing cable for the controller to clamps A1 and A2. If polarity is an issue, keep in mind that E1 and A1 and E2 and A2 are the respective current paths.

**Attention:**

Sensor cables conduct safety extra-low voltage and should be laid separately from 230 V or 400 V cables.

Overvoltage protection	OP1
Permissible ambient temperature	-25 °C...+70 °C
Max. operating voltage	12 V, DC
Protection degree	IP 65 / DIN 40050
Weight	50 g
Dimensions L x W x H	80 x 80 x 50 mm





E1 / E2:
from the collector

A1 / A2:
to the controller

724.206

