



**BUREAU
VERITAS**

**Bureau Veritas
Consumer Products Services
Germany GmbH**

Businesspark A96
86842 Türkheim
Germany
+ 49 (0) 40 740 41 – 0
cps-tuerkheim@de.bureauveritas.com

Certification body of BV CPS GmbH
Accredited according to EN 45011 -
ISO / IEC Guide 65

Certificate of compliance

Applicant: AEI Power GmbH
Uracher Straße 91
72555 Metzingen
Germany

Product: Grid-tied photovoltaic (PV) inverter

Model: 840R040
840R046

Use in accordance with regulations:

Automatic disconnection device with three-phase mains surveillance in accordance with Engineering Recommendation G59/3 for photovoltaic systems with a three-phase parallel coupling via an inverter in the public mains supply. The automatic disconnection device is an integral part of the aforementioned inverter. This serves as a replacement for the disconnection device with isolating function that can access the distribution network provider at any time.

Applied rules and standards:

Engineering Recommendation G59/3:2013

Recommendation for the Connection of Generating Plant to the Distribution Systems of licensed Distribution Network Operators.

DIN V VDE V 0126-1-1:2013-08 (Functional safety)

Automatic disconnection device between a generator and the public low-voltage grid

The 840R040 and 840R046 are rated $>16A$ and $\leq 50kW$ (3 phase). The default values for "Small Power Stations" on the low-voltage grid were verified.

At the time of issue of this certificate the safety concept of an aforementioned representative product corresponds to the valid safety specifications for the specified use in accordance with regulations.

Report number: 14TH0128-G59/3
Certificate number: U14-0548
Date of issue: 2014-10-27

Certification body

Dieter Zitzmann



Deutsche
Akkreditierungsstelle
D-ZE-12024-01-01



QUALITY



HEALTH



SAFETY



ENVIRONMENT



SOCIAL
ACCOUNTABILITY

Appendix 13.1 Type Testing a Generating Unit

Extract from test report according the Engineering Recommendation G59/3

Nr. 14TH0128

Type Approval and declaration of compliance with the requirements of Engineering Recommendation G59/3.		
Manufacturer / applicant:	AEI Power GmbH Uracher Straße 91 72555 Metzingen Germany	
Generating Unit technology	Grid-tied photovoltaic inverter	
Rated values	840R040	840R046
Maximum rated capacity	40kW	46kW
Rated voltage	230V	265,5V
Firmware version	AEFP_300-01-02-01-S	

* The tests were performed with Firmwareversion AEFP_300-01-01-39-S. Changes in the Firmwareversion on position AEFP_300-01-02-xx-S has no effect on the required electrical properties.
x = could be any number or sign

Measurement period: 2014-05-26 to 2014-08-21, 2014-10-14

Description of the structure of the power generation unit (Figure 1):

The Solar converter converts DC voltage into AC voltage.
The input and output are protected by Varistors to Earth. The unit is providing EMC filtering at the output toward mains.
The unit does provide galvanic separation from input to output (transformer). The output is switched off redundant by the high power switching bridge and a relay in series. This assures that the opening of the output circuit will also operate in case of one error.

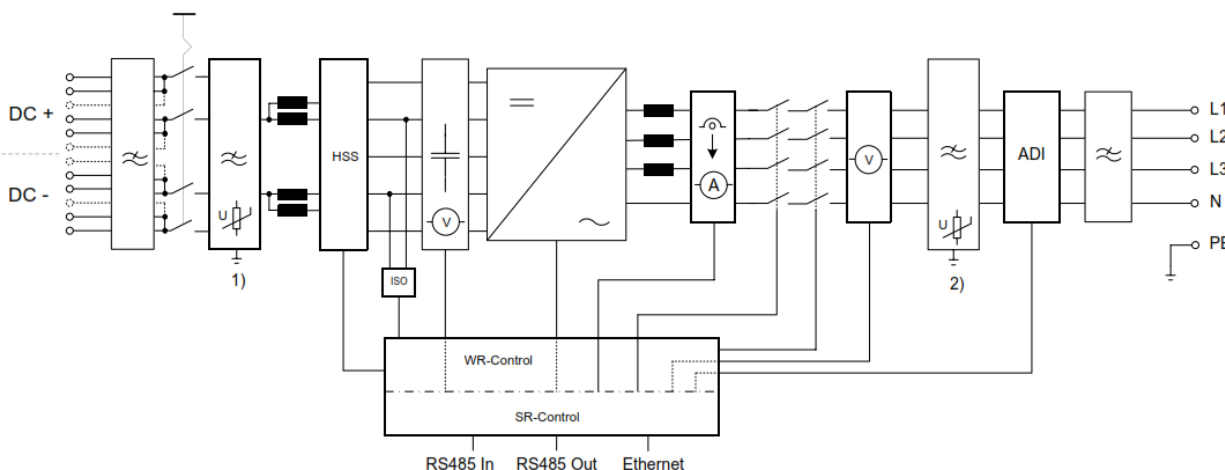


Figure 1 – Schematic structure of the power generation unit

Differences between Generating Units:

The 840R046 has a different output voltage of 460V phase to phase, in which the output current is identical to the 840R040.

The above stated Generating Units are tested according the requirements in the Engineering Recommendation G59/3. Any modification that affects the stated tests must be named by the manufacturer/supplier of the product to ensure that the product meets all requirements of the Engineering Recommendation G59/3.

Appendix 13.1 Type Testing a Generating Unit

Extract from test report according the Engineering Recommendation G59/3

Nr. 14TH0128

Protection. Voltage tests. (230V)						
840R040 Phase 1						
Function	Setting		Trip test		No trip test	
	Voltage	Time delay	Voltage	Time delay	Voltage / time	Confirm no trip
U/V stage 1	200,1V	2,5s	199V	2,737s	204,1V / 3,5s	No trip
U/V stage 2	184V	0,5s	183V	0,633s	188V / 2,48s	No trip
					180V / 0,48s	No trip
O/V stage 1	262,2V	1,0s	261,8V	1,132	258,2V 2,0s	No trip
O/V stage 2	273,7V	0,5s	273V	0,643s	269,7V 0,98s	No trip
					277,7V 0,48s	No trip
Protection. Voltage tests.						
840R040 Phase 2						
Function	Setting		Trip test		No trip test	
	Voltage	Time delay	Voltage	Time delay	Voltage / time	Confirm no trip
U/V stage 1	200,1V	2,5s	199,6V	2,723s	204,1V / 3,5s	No trip
U/V stage 2	184V	0,5s	183,4V	0,626s	188V / 2,48s	No trip
					180V / 0,48s	No trip
O/V stage 1	262,2V	1,0s	262,3V	1,126s	258,2V 2,0s	No trip
O/V stage 2	273,7V	0,5s	273,6V	0,627s	269,7V 0,98s	No trip
					277,7V 0,48s	No trip

Appendix 13.1 Type Testing a Generating Unit

Extract from test report according the Engineering Recommendation G59/3

Nr. 14TH0128

Protection. Voltage tests. (230V)						
840R040 Phase 3						
Function	Setting		Trip test		No trip test	
	Voltage	Time delay	Voltage	Time delay	Voltage / time	Confirm no trip
U/V stage 1	200,1V	2,5s	198,3V	2,734s	204,1V / 3,5s	No trip
U/V stage 2	184V	0,5s	181,7V	0,624s	188V / 2,48s	No trip
					180V / 0,48s	No trip
O/V stage 1	262,2V	1,0s	263,1V	1,134s	258,2V 2,0s	No trip
O/V stage 2	273,7V	0,5s	274,8V	0,626s	269,7V 0,98s	No trip
					277,7V 0,48s	No trip
<p>Note. For Voltage tests the Voltage required to trip is the setting $\pm 3,45V$. The time delay can be measured at a larger deviation than the minimum required to operate the protection. The No trip tests need to be carried out at the setting $\pm 4V$ and for the relevant times as shown in the table above to ensure that the protection will not trip in error.</p>						

Appendix 13.1 Type Testing a Generating Unit

Extract from test report according the Engineering Recommendation G59/3

Nr. 14TH0128

Protection. Voltage tests. (240V)						
Phase 1						
Function	Setting		Trip test		No trip test	
	Voltage	Time delay	Voltage	Time delay	Voltage / time	Confirm no trip
U/V stage 1	208,8V	2,5s	206,8V	2,765s	212,8V / 3,5s	No trip
U/V stage 2	192V	0,5s	189,4V	0,678s	196V / 2,48s	No trip
					188V / 0,48s	No trip
O/V stage 1	273,6V	1,0s	273,5V	1,155s	269,6V 2,0s	No trip
O/V stage 2	285,6V	0,5s	285,5V	0,657s	281,6V 0,98s	No trip
					289,2V 0,48s	No trip
Phase 2						
Function	Setting		Trip test		No trip test	
	Voltage	Time delay	Voltage	Time delay	Voltage / time	Confirm no trip
U/V stage 1	208,8V	2,5s	206,8V	2,767s	212,8V / 3,5s	No trip
U/V stage 2	192V	0,5s	189,4V	0,660s	196V / 2,48s	No trip
					188V / 0,48s	No trip
O/V stage 1	273,6V	1,0s	273,5V	1,163s	269,6V 2,0s	No trip
O/V stage 2	285,6V	0,5s	285,5V	0,668s	281,6V 0,98s	No trip
					289,2V 0,48s	No trip

Appendix 13.1 Type Testing a Generating Unit

Extract from test report according the Engineering Recommendation G59/3

Nr. 14TH0128

Protection. Voltage tests (240V).						
Phase 3						
Function	Setting		Trip test		No trip test	
	Voltage	Time delay	Voltage	Time delay	Voltage / time	Confirm no trip
U/V stage 1	208,8V	2,5s	206,8,3V	2,758s	212,8V / 3,5s	No trip
U/V stage 2	192V	0,5s	189,4V	0,671s	196V / 2,48s	No trip
					188V / 0,48s	No trip
O/V stage 1	273,6V	1,0s	273,6V	1,169s	269,6V 2,0s	No trip
O/V stage 2	285,6V	0,5s	285,6V	0,669s	281,6V 0,98s	No trip
					289,2V 0,48s	No trip
Note. For Voltage tests the Voltage required to trip is the setting $\pm 3,45V$. The time delay can be measured at a larger deviation than the minimum required to operate the protection. The No trip tests need to be carried out at the setting $\pm 4V$ and for the relevant times as shown in the table above to ensure that the protection will not trip in error.						

Protection. Frequency tests.						
Function	Setting		Trip test		No trip test	
	Frequency	Time delay	Frequency	Time delay	Frequency / time	Confirm no trip
U/F stage 1	47,5Hz	20s	47,54Hz	20,86s	47,7Hz / 25s	No trip
U/F stage 2	47Hz	0,5s	46,99Hz	1,14s	47,2Hz / 19,98s	No trip
					46,8Hz / 0,48s	No trip
O/F stage 1	51,5Hz	90s	51,53Hz	90,44s	51,3Hz / 95s	No trip
O/F stage 2	52Hz	0,5s	52,01Hz	1,00s	51,8Hz / 89,98s	No trip
					52,2Hz / 0,48s	No trip
Note. For Frequency Trip tests the Frequency required to trip is the setting $\pm 0,1Hz$. In order to measure the time delay a larger deviation than the minimum required to operate the projection can be used. The "No-trip tests" need to be carried out at the setting $\pm 0,2Hz$ and for the relevant times as shown in the table above to ensure that the protection will not trip in error.						

Appendix 13.1 Type Testing a Generating Unit

Extract from test report according the Engineering Recommendation G59/3

Nr. 14TH0128

Protection. Loss of Mains.

Note as an alternative, inverters can be tested to BS EN 62116. The following sub set of tests should be recorded in the following table.

Balancing load on islanded network	33% of -5% Q Test 22	66% of -5% Q Test 12	100% of -5% P Test 5	33% of +5% Q Test 31	66% of +5% Q Test 21	100% of +5% P Test 10
Trip time. Ph1 fuse removed	116,89ms	131,38ms	136,99ms	103,66ms	89,12ms	145,23ms
Trip time. Ph2 fuse removed	116,89ms	131,38ms	136,99ms	103,66ms	89,12ms	145,23ms
Trip time. Ph3 fuse removed	116,89ms	131,38ms	136,99ms	103,66ms	89,12ms	145,23ms

Note for technologies which have a substantial shut down time this can be added to the 0,5 seconds in establishing that the trip occurred in less than 0,5s. Maximum shut down time could therefore be up to 1,0 seconds for these technologies.

Indicate additional shut down time included in above results.
(Integrated interface switch)

Type of switching equipment 1:
Finder 67.22-4x00 with 30ms
Type of switching equipment 2:
Finder 67.22-4x00 with 30ms

Note. All relays are direct coupled and open directly by receiving the islanding signal from the controller. Therefore the measured disconnection time on all phase is valid for three phases of the inverter.

Appendix 13.1 Type Testing a Generating Unit

Extract from test report according the Engineering Recommendation G59/3

Nr. 14TH0128

Protection. Re-connection timer.				
Test should prove that the reconnection sequence starts in no less than 20 seconds for restoration of voltage and frequency to within the stage 1 settings of table 10.5.7.1.				
Voltage				
Time delay setting		Measured delay		
20s		185s		
Frequency				
Time delay setting		Measured delay		
20s		189s		
Checks on no reconnection when voltage or frequency is brought to just outside stage 1 limits of table 1.				
	At 266,2V	At 196,1V	At 47,4Hz	At 51,6Hz
Confirmation that the Generating Unit does not re-connect.	No reconnection	No reconnection	No reconnection	No reconnection

Protection. Frequency change, Stability test.				
	Start Frequency	Change	End Frequency	Confirm no trip
Positive Vector Shift	49,5Hz	+9 degrees		No trip
Negative Vector Shift	50,5Hz	- 9 degrees		No trip
Positive Frequency drift	49,5Hz	+0,19Hz/sec	51,5Hz	No trip
Negative Frequency drift	50,5Hz	-0,19Hz/sec	47,5Hz	No trip

Appendix 13.1 Type Testing a Generating Unit

Extract from test report according the Engineering Recommendation G59/3

Nr. 14TH0128

Power Quality. Harmonics.						
Phase 1						
Generating Unit tested to BS EN 61000-3-12						
Generating Unit rating per phase (rpp)						
	At 45-55% of rated output 6,70kW		100% of rated output 13,25 kW			
Harmonic	Measured Value (MV) in Amps	Measured Value (MV) in %	Measured Value (MV) in Amps	Measured Value (MV) in %	Limit in BS EN61000-3-12 in %	
					1 phase	3 phase
2nd	0,094	0,324	0,100	0,174	8%	8%
3rd	0,124	0,428	0,189	0,329	21,6%	N/A
4th	0,037	0,129	0,047	0,081	4%	4%
5th	0,073	0,251	0,208	0,362	10,7%	10,7%
6th	0,021	0,072	0,037	0,065	2,67%	2,67%
7th	0,072	0,246	0,071	0,123	7,2%	7,2%
8th	0,016	0,056	0,025	0,043	2%	2%
9th	0,060	0,205	0,061	0,105	3,8%	N/A
10th	0,010	0,035	0,017	0,030	1,6%	1,6%
11th	0,050	0,172	0,046	0,081	3,1%	3,1%
12th	0,008	0,026	0,015	0,026	1,33%	1,33%
13th	0,042	0,144	0,038	0,066	2%	2%
14th	0,007	0,023	0,013	0,022	N/A	N/A
15th	0,034	0,117	0,032	0,056	N/A	N/A
16th	0,006	0,021	0,012	0,020	N/A	N/A
17th	0,028	0,097	0,027	0,047	N/A	N/A
18th	0,006	0,020	0,011	0,019	N/A	N/A
19th	0,022	0,076	0,024	0,042	N/A	N/A
20th	0,005	0,018	0,010	0,017	N/A	N/A
21th	0,018	0,061	0,021	0,037	N/A	N/A
22th	0,005	0,018	0,010	0,017	N/A	N/A
23th	0,014	0,049	0,019	0,033	N/A	N/A
24th	0,005	0,018	0,009	0,016	N/A	N/A
25th	0,013	0,044	0,017	0,030	N/A	N/A
26th	0,005	0,018	0,009	0,015	N/A	N/A
27th	0,011	0,039	0,016	0,027	N/A	N/A
28th	0,005	0,017	0,009	0,015	N/A	N/A
29th	0,010	0,033	0,014	0,024	N/A	N/A
30th	0,005	0,018	0,009	0,015	N/A	N/A
31th	0,009	0,031	0,014	0,025	N/A	N/A
32th	0,005	0,019	0,009	0,016	N/A	N/A
33th	0,012	0,043	0,014	0,024	N/A	N/A
34th	0,006	0,021	0,009	0,016	N/A	N/A
35th	0,011	0,039	0,013	0,023	N/A	N/A
36th	0,007	0,023	0,010	0,018	N/A	N/A
37th	0,012	0,041	0,016	0,028	N/A	N/A
38th	0,008	0,028	0,012	0,021	N/A	N/A
39th	0,017	0,060	0,021	0,037	N/A	N/A
40th	0,011	0,036	0,017	0,030	N/A	N/A
THD	0,814%		0,611%		23%	13%
PWHD	0,0008%		0,0002%		23%	22%

Appendix 13.1 Type Testing a Generating Unit

Extract from test report according the Engineering Recommendation G59/3

Nr. 14TH0128

Power Quality. Harmonics.						
Phase 2						
Generating Unit tested to BS EN 61000-3-12						
Generating Unit rating per phase (rpp)						
	At 45-55% of rated output 6,72 kW		100% of rated output 13,29 kW			
Harmonic	Measured Value (MV) in Amps	Measured Value (MV) in %	Measured Value (MV) in Amps	Measured Value (MV) in %	Limit in BS EN61000-3-12 in %	
					1 phase	3 phase
2nd	0,026	0,090	0,070	0,121	8%	8%
3rd	0,123	0,423	0,415	0,720	21,6%	N/A
4th	0,042	0,145	0,039	0,068	4%	4%
5th	0,115	0,396	0,213	0,369	10,7%	10,7%
6th	0,024	0,081	0,043	0,075	2,67%	2,67%
7th	0,081	0,278	0,114	0,198	7,2%	7,2%
8th	0,013	0,045	0,022	0,038	2%	2%
9th	0,064	0,221	0,089	0,154	3,8%	N/A
10th	0,011	0,039	0,018	0,031	1,6%	1,6%
11th	0,051	0,174	0,060	0,104	3,1%	3,1%
12th	0,009	0,032	0,016	0,027	1,33%	1,33%
13th	0,040	0,138	0,045	0,077	2%	2%
14th	0,007	0,025	0,013	0,023	N/A	N/A
15th	0,034	0,117	0,040	0,069	N/A	N/A
16th	0,006	0,022	0,012	0,020	N/A	N/A
17th	0,026	0,089	0,036	0,063	N/A	N/A
18th	0,007	0,023	0,011	0,020	N/A	N/A
19th	0,021	0,071	0,033	0,057	N/A	N/A
20th	0,006	0,020	0,010	0,018	N/A	N/A
21th	0,017	0,057	0,030	0,052	N/A	N/A
22th	0,006	0,020	0,010	0,017	N/A	N/A
23th	0,013	0,046	0,027	0,047	N/A	N/A
24th	0,006	0,019	0,009	0,016	N/A	N/A
25th	0,011	0,036	0,025	0,044	N/A	N/A
26th	0,005	0,019	0,009	0,016	N/A	N/A
27th	0,009	0,032	0,024	0,041	N/A	N/A
28th	0,006	0,021	0,009	0,016	N/A	N/A
29th	0,007	0,025	0,023	0,040	N/A	N/A
30th	0,006	0,019	0,009	0,016	N/A	N/A
31th	0,007	0,025	0,021	0,036	N/A	N/A
32th	0,006	0,020	0,009	0,016	N/A	N/A
33th	0,009	0,031	0,023	0,040	N/A	N/A
34th	0,006	0,022	0,010	0,018	N/A	N/A
35th	0,007	0,024	0,025	0,043	N/A	N/A
36th	0,007	0,025	0,011	0,019	N/A	N/A
37th	0,010	0,035	0,026	0,045	N/A	N/A
38th	0,009	0,031	0,013	0,023	N/A	N/A
39th	0,013	0,044	0,035	0,061	N/A	N/A
40th	0,010	0,035	0,018	0,031	N/A	N/A
THD	0,806%		0,931%		23%	13%
PWHD	0,0007%		0,0005%		23%	22%

Appendix 13.1 Type Testing a Generating Unit

Extract from test report according the Engineering Recommendation G59/3

Nr. 14TH0128

Power Quality. Harmonics.						
Phase 3						
Generating Unit tested to BS EN 61000-3-12						
Generating Unit rating per phase (rpp)						
	At 45-55% of rated output 6,61 kW		100% of rated output 13,07 kW			
Harmonic	Measured Value (MV) in Amps	Measured Value (MV) in %	Measured Value (MV) in Amps	Measured Value (MV) in %	Limit in BS EN61000-3-12 in %	
					1 phase	3 phase
2nd	0,053	0,186	0,040	0,070	8%	8%
3rd	0,113	0,395	0,228	0,402	21,6%	N/A
4th	0,034	0,118	0,050	0,089	4%	4%
5th	0,116	0,404	0,182	0,321	10,7%	10,7%
6th	0,023	0,079	0,040	0,071	2,67%	2,67%
7th	0,097	0,338	0,079	0,140	7,2%	7,2%
8th	0,012	0,043	0,019	0,034	2%	2%
9th	0,066	0,230	0,065	0,114	3,8%	N/A
10th	0,009	0,033	0,016	0,028	1,6%	1,6%
11th	0,054	0,187	0,054	0,095	3,1%	3,1%
12th	0,008	0,029	0,013	0,023	1,33%	1,33%
13th	0,042	0,148	0,043	0,075	2%	2%
14th	0,007	0,025	0,012	0,021	N/A	N/A
15th	0,034	0,119	0,035	0,062	N/A	N/A
16th	0,007	0,023	0,011	0,019	N/A	N/A
17th	0,025	0,088	0,032	0,056	N/A	N/A
18th	0,006	0,021	0,010	0,018	N/A	N/A
19th	0,020	0,071	0,028	0,049	N/A	N/A
20th	0,006	0,019	0,010	0,017	N/A	N/A
21th	0,016	0,055	0,025	0,044	N/A	N/A
22th	0,005	0,018	0,009	0,017	N/A	N/A
23th	0,012	0,043	0,021	0,037	N/A	N/A
24th	0,005	0,018	0,009	0,016	N/A	N/A
25th	0,010	0,036	0,020	0,035	N/A	N/A
26th	0,005	0,018	0,009	0,016	N/A	N/A
27th	0,009	0,032	0,019	0,034	N/A	N/A
28th	0,005	0,018	0,009	0,016	N/A	N/A
29th	0,008	0,027	0,017	0,031	N/A	N/A
30th	0,005	0,018	0,009	0,017	N/A	N/A
31th	0,008	0,027	0,018	0,031	N/A	N/A
32th	0,005	0,019	0,010	0,018	N/A	N/A
33th	0,009	0,031	0,019	0,033	N/A	N/A
34th	0,006	0,020	0,011	0,019	N/A	N/A
35th	0,009	0,031	0,018	0,032	N/A	N/A
36th	0,007	0,023	0,012	0,021	N/A	N/A
37th	0,011	0,037	0,020	0,035	N/A	N/A
38th	0,008	0,027	0,014	0,024	N/A	N/A
39th	0,015	0,051	0,025	0,044	N/A	N/A
40th	0,010	0,036	0,018	0,032	N/A	N/A
THD	0,866%		0,666%		23%	13%
PWHD	0,0007%		0,0003%		23%	22%

Appendix 13.1 Type Testing a Generating Unit

Extract from test report according the Engineering Recommendation G59/3

Nr. 14TH0128

Power Quality. Power factor.				
	216,2V	230V	253V	Measured at three voltage levels and at full output. Voltage to be maintained within $\pm 1.5\%$ of the stated level during the test.
Measured value	0,999	0,999	0,999	
Limit	>0,95	>0,95	>0,95	

Power Quality. Voltage fluctuation and Flicker.								
	Starting			Stopping			Running	
	dmax	dc	d(t)	dmax	dc	d(t)	Pst	Plt 2 hours
Measured values at test impedance	0,47%	3,3%	0,0%	0,47%	3,3%	0,0%	0,42	0,42
Limits set under BS EN 61000-3-11	4%	3,3%	3,3% 500ms	4%	3,3%	3,3% 500ms	1,0	0,65
Test impedance	R	0,24* 0,4^	Ω	XI	0,15* 0,25	Ω		
Standard impedance	R	0,24* 0,4^	Ω	XI	0,15* 0,25^	Ω		

Power Quality. DC injection.			
Test level power	10%	55%	100%
	Phase 1		
Recorded value	56,68mA	104,87mA	113,06mA
As % of rated AC current	0,10%	0,19%	0,20%
	Phase 2		
Recorded value	18,87mA	7,60mA	17,22mA
As % of rated AC current	0,03%	0,01%	0,03%
	Phase 3		
Recorded value	43,76mA	80,74mA	100,62mA
As % of rated AC current	0,08%	0,14%	0,18%
Limit	0,25%	0,25%	0,25%

Appendix 13.1 Type Testing a Generating Unit

Extract from test report according the Engineering Recommendation G59/3

Nr. 14TH0128

Fault level Contribution.					
For a directly coupled SSEG			For a Inverter SSEG		
Parameter	Symbol	Value	Time after fault	Volts	Amps
Peak Short Circuit current	I_p	N/A	20ms	56,0	0,82
Initial Value of aperiodic current	A	N/A	100ms	50,0	0,37
Initial symmetrical short-circuit current*	I_k	N/A	250ms	49,1	0,25
Decaying (aperiodic) component of short circuit current*	i_{DC}	N/A	500ms	48,6	0,18
Reactance/Resistance Ratio of source*	X/R	N/A	Time to trip	0,006	In seconds

For rotating machines and linear piston machines the test should produce a 0s – 2s plot of the short circuit current as seen at the Generating Unit terminals.

* Values for these parameters should be provided where the short circuit duration is sufficiently long to enable interpolation of the plot.

Self Monitoring – Solid state switching.	N/A
It has been verified that in the event of the solid state switching device failing to disconnect the Generating Unit, the voltage on the output side of the switching device is reduced to a value below 50 volts within 0,5 seconds.	
Note. Unit do not provide solid state switching relays. In case the semiconductor bridge is switched off, then the voltage on the output drops to 0. In this case the relays on the output will also open.	